



Excellent Integrated System Limited

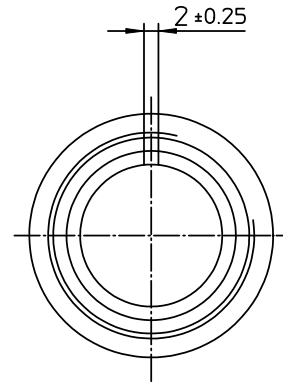
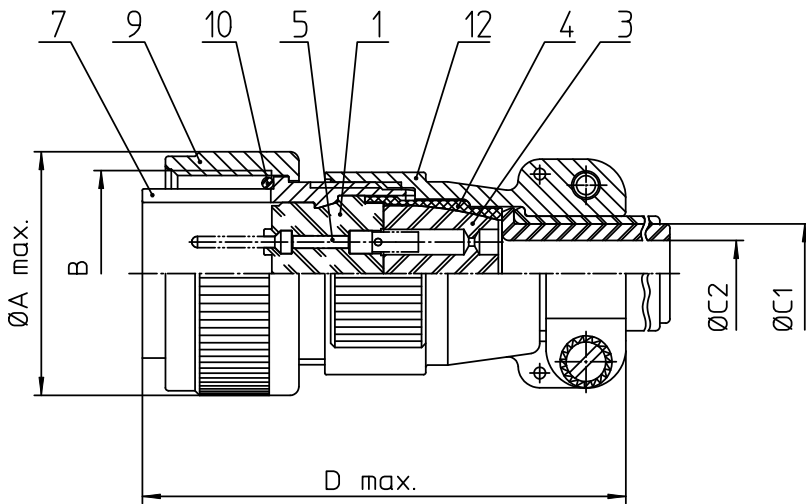
Stocking Distributor

Click to view price, real time Inventory, Delivery & Lifecycle Information:

[ITT Cannon, LLC](#)
[MS3106F16-9PW](#)

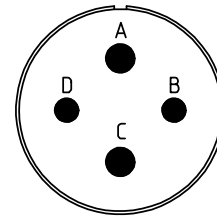
For any questions, you can email us directly:

sales@integrated-circuit.com




NO.	MASSE / DIMENSION
A	31.8
B	1-20UNEF-2B
C1	11.1
C2	-
D	66

NO.	BESCHREIBUNG / DESCRIPTION
1	ISOLIERKÖRPER STIFT / INSULATOR PIN
3	DICHTKÖRPER / GROMMET
4	ENDRING / ENDRING
5	KONTAKTSTIFT/ CONTACT PIN
7	ZYLINDERGHÄUSE / BARREL
9	ÜBERWURFMUTTER / COUPLING NUT
10	DICHTRING FRONT / FRONT SEALING RING
12	ENDGEHÄUSE / ENDBELL



Note: Due to an automatic nomenclature system, numbers generated may not be sequential.
Specification and Dimensions subject to change
Drawings illustrate normal insulator positioning

Material Specification:
Shell Material: Aluminium alloy
Shell Plating: Olive drab chromate coating over cadmium plating
Insulator Material: Neoprene
Contact Material: Copper alloy
Contact Plating: Hard silver

all dimensions are in mm		drawing for
Dimensions without tolerance indications are general tolerances in acc. with DIN7168m		CUSTOMER
 ITT <i>Engineered for life</i> <small>ITT CANNON GERMANY D-75364 Weinstadt-Germersheim</small>	description	
	MS3106F16-9PW Plug, straight Endbell with cable clamp Solder Cup / Pin / Layout: 16-9	
© All rights reserved. Reproduction or issue to third in any form whenever is only permitted with written authorization of ITT Cannon	page	revision
	1/1	377.3, Jul 16