



**Distributor of ITT Cannon, LLC: Excellent Integrated System Limited**

Datasheet of MS3102R32-7PW - CONN RCPT 35 POS BOX MNT W/PINS

Contact us: [sales@integrated-circuit.com](mailto:sales@integrated-circuit.com) Website: [www.integrated-circuit.com](http://www.integrated-circuit.com)

---

## **Excellent Integrated System Limited**

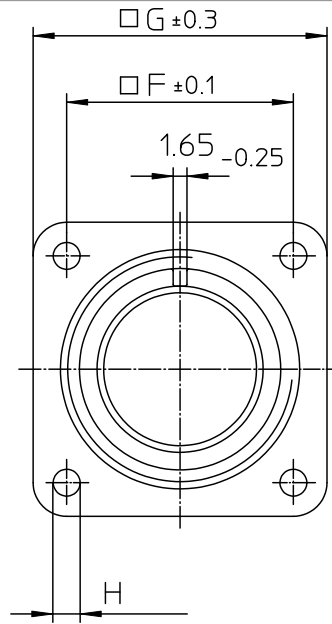
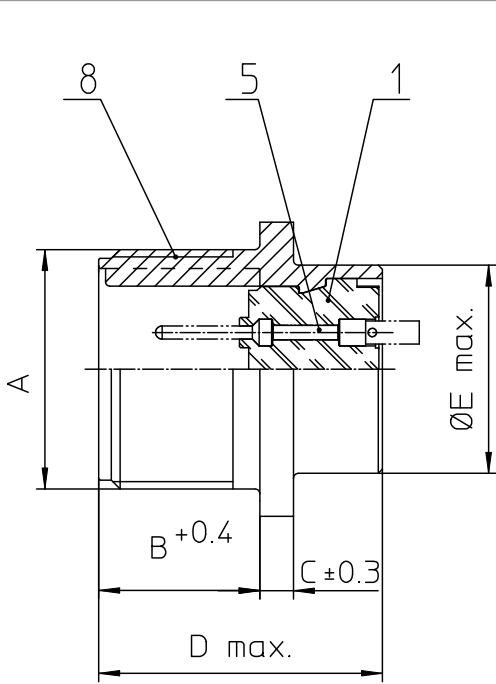
Stocking Distributor

Click to view price, real time Inventory, Delivery & Lifecycle Information:

[ITT Cannon, LLC](#)  
[MS3102R32-7PW](#)

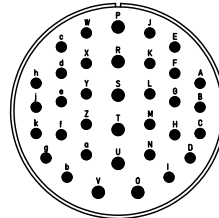
For any questions, you can email us directly:

[sales@integrated-circuit.com](mailto:sales@integrated-circuit.com)



| NO. | MASSE / DIMENSION |
|-----|-------------------|
| A   | 2-18NS-2A         |
| B   | 22.2              |
| C   | 4                 |
| D   | 34.2              |
| E   | 47.6              |
| F   | 44.5              |
| G   | 57                |
| H   | 4.4               |

| NO. | BESCHREIBUNG / DESCRIPTION          |
|-----|-------------------------------------|
| 1   | ISOLIERKÖRPER STIFT / INSULATOR PIN |
| 5   | KONTAKTSTIFT/ CONTACT PIN           |
| 8   | DOSENGEHÄUSE / SHELL                |



|  |  |
|--|--|
| <p>Note: Due to an automatic nomenclature system, numbers generated may not be sequential.<br/>Specification and Dimensions subject to change<br/>Drawings illustrate normal insulator positioning</p> |  |
| Material Specification:  |  |
| Shell Material:  | Aluminium alloy                                  |
| Shell Plating:   | Olive drab chromate coating over cadmium plating |
| Insulator Material:  | Neoprene   |
| Contact Material:  | Copper alloy                                     |
| Contact Plating:   | Hard silver                                      |

|  |  |
|--|--|
| <p>all dimensions are in mm<br/>Dimensions without tolerance indications are general tolerances in acc. with DIN7168m</p>      | <p>drawing for<br/>CUSTOMER</p>  |
| <p><b>ITT</b><br/>Engineered for life<br/>ITT CANON/USA<br/>D-71334 Weinstadt/Germany</p>                                      | <p>description MS3102R32-7PW<br/>Box mounting receptacle<br/>Solder Cup / Pin / Layout: 32-7</p> |
| <p>© All rights reserved. Reproduction or issue to third in any form without the prior written authorization of ITT Cannon</p> | <p>page 1/1<br/>revision 3773, Jul 16</p>  |