



## **Excellent Integrated System Limited**

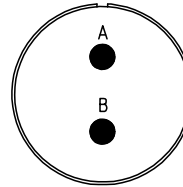
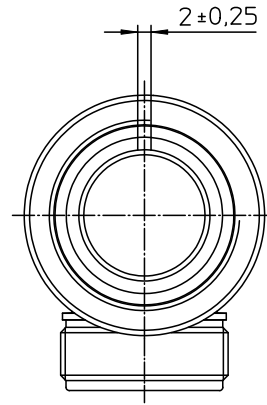
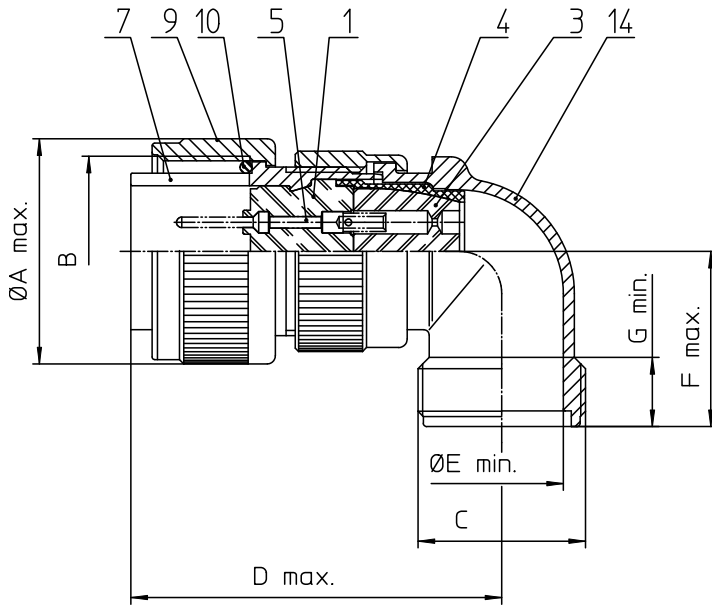
Stocking Distributor

Click to view price, real time Inventory, Delivery & Lifecycle Information:

[ITT Cannon, LLC](#)  
[MS3108R16-11P](#)

For any questions, you can email us directly:

[sales@integrated-circuit.com](mailto:sales@integrated-circuit.com)





NO.	MASSE / DIMENSION
A	31.8
B	1-20UNEF-2B
C	7/8-20UNEF-2A
D	30
E	15.3
F	26.0

NO.	BESCHREIBUNG / DESCRIPTION
1	ISOLIERKÖRPER STIFT / INSULATOR PIN
3	DICHTKÖRPER / GROMMET
4	ENDRING / ENDRING
5	KONTAKTSTIFT/ CONTACT PIN
7	ZYLINDERGHÄUSE / BARREL
9	ÜBERWURFMUTTER / COUPLING NUT
10	DICHTRING FRONT / FRONT SEALING RING
12	ENDGEHÄUSE / ENDBELL

Note: Due to an automatic nomenclature system, numbers generated may not be sequential.  
Specification and Dimensions subject to change  
Drawings illustrate normal insulator positioning

Material Specification:  
Shell Material: Aluminium alloy  
Shell Plating: Olive drab chromate coating over cadmium plating  
Insulator Material: Neoprene  
Contact Material: Copper alloy  
Contact Plating: Hard silver

all dimensions are in mm		drawing for
Dimensions without tolerance indications are general tolerances in acc. with DIN 7168m		CUSTOMER
 <b>ITT</b> <i>Engineered for life</i> <small>ITT CANNON CORP 5-71364 WeinstadtGermany</small>	description	
	MS3108R16-11P Plug 90° Shortened light-weight endbell without cable clamp Solder Cup / Pin / Layout: 16-11	
<small>© All rights reserved. Reproduction or issue in any form without the prior written permission of ITT Cannon</small>	 page 1/1 revision 377.3, Jul 16	