



Distributor of ITT Cannon, LLC: Excellent Integrated System Limited

Datasheet of MS3102E24-10SW - CONN RCPT 7 POS BOX MNT W/SCKT

Contact us: sales@integrated-circuit.com Website: www.integrated-circuit.com

Excellent Integrated System Limited

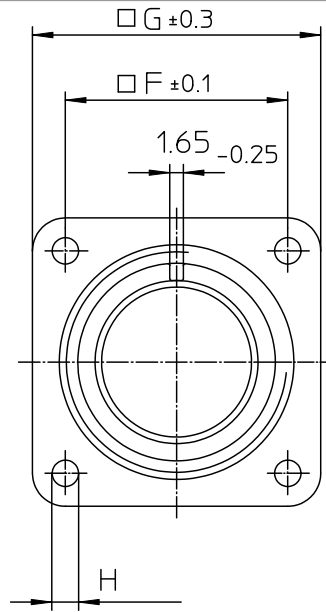
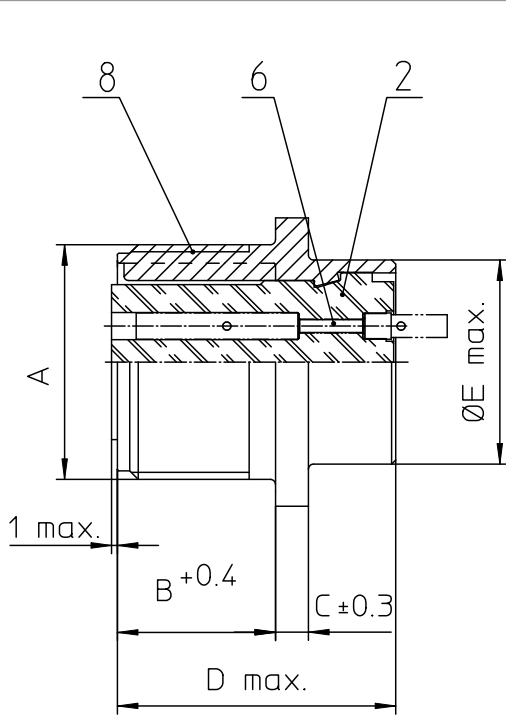
Stocking Distributor

Click to view price, real time Inventory, Delivery & Lifecycle Information:

[ITT Cannon, LLC](#)
[MS3102E24-10SW](#)

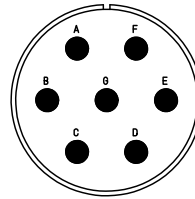
For any questions, you can email us directly:

sales@integrated-circuit.com



NO.	MASSE / DIMENSION
A	1 1/2-18NEF-2A
B	20.6
C	4
D	34.2
E	35.3
F	34.9
G	44.5
H	3.7

NO.	BESCHREIBUNG / DESCRIPTION
2	ISOLIERKÖRPER BUCHSE / INSULATOR SOCKET
6	KONTAKTBUCHSE / CONTACT SOCKET
8	DOSENGEHÄUSE / SHELL



<p>Note: Due to an automatic nomenclature system, numbers generated may not be sequential. Specification and Dimensions subject to change Drawings illustrate normal insulator positioning</p>	
Material Specification: _____	
Shell Material:	Aluminium alloy
Shell Plating:	Olive drab chromate coating over cadmium plating
Insulator Material:	Neoprene
Contact Material:	Copper alloy
Contact Plating:	Hard silver

<p>all dimensions are in mm Dimensions without tolerance indications are general tolerances in acc. with DIN 1880</p>		drawing for	CUSTOMER
<p>ITT Engineered for life ITT Cannon Corp. D-71364 Wernau/Germany</p>	<p>description MS3102E24-10SW Box mounting receptacle</p>		
	<p>Solder Cup / Socket / Layout: 24-10</p>		
<p>© All rights reserved. Reproduction or issue in any form without the prior written permission of ITT Cannon</p>		page	revision
		1/1	377.3, Jul 16