



## **Excellent Integrated System Limited**

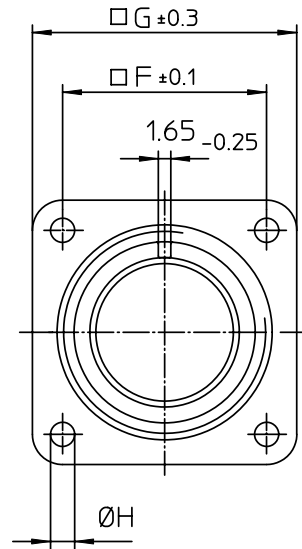
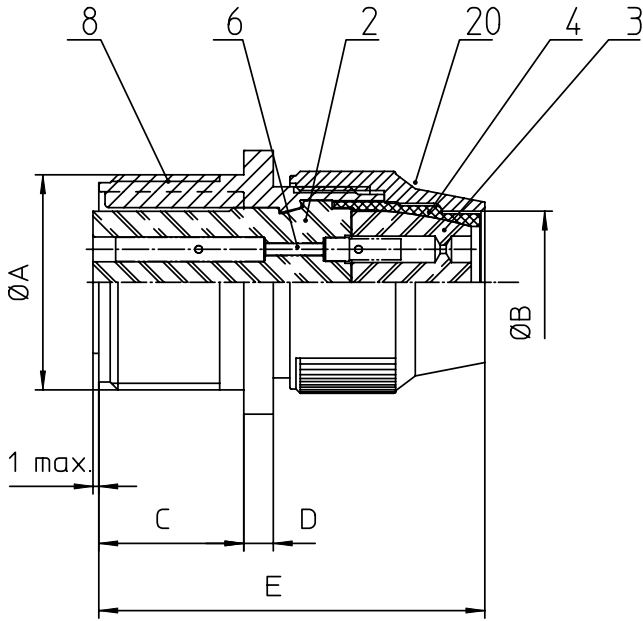
Stocking Distributor

Click to view price, real time Inventory, Delivery & Lifecycle Information:

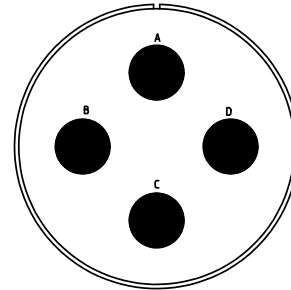
[ITT Cannon, LLC](#)  
[MS3100R36-5S](#)

For any questions, you can email us directly:

[sales@integrated-circuit.com](mailto:sales@integrated-circuit.com)




NO.	MASSE / DIMENSION
A	2 1/4-16UN-2A
B	44.5
C	22.2
D	3.2
E	53
F	49.2
G	63.5
H	4.4



NO.	BESCHREIBUNG / DESCRIPTION
2	ISOLIERKÖRPER BUCHSE / INSULATOR SOCKET
3	DICHTKÖRPER / GROMMET
4	ENDRING / ENDRING
6	KONTAKTBUCHSE / CONTACT SOCKET
8	DOSENGEHÄUSE / SHELL
20	KURZES ENDGEHÄUSE/SHORT ENDBELL

Note: Due to an automatic nomenclature system, numbers generated may not be sequential.  
Specification and Dimensions subject to change  
Drawings illustrate normal insulator positioning

Material Specification:	
Shell Material:	Aluminium alloy
Shell Plating:	Olive drab chromate coating over cadmium plating
Insulator Material:	Neoprene
Contact Material:	Copper alloy
Contact Plating:	Hard silver

all dimensions are in mm		Dimensions without tolerance indications are general tolerances in acc. with DIN7168m	drawing for
 <b>ITT</b> Engineered for life <small>ITT CANNON GROUP                      91-77388 Kinross Road Summary</small>		description <b>MS3100R36-5S</b> Wall mounting receptacle Shortened light-weight endbell without cable clamp Solder Cup / Socket / Layout: 36-5	<b>CUSTOMER</b>
<small>© All rights reserved. Reproduction or issue to third in any form                      whatever is only permitted with written authorization of ITT Cannon</small>		page 1/1	revision 377 3. Jul 16