



Excellent Integrated System Limited

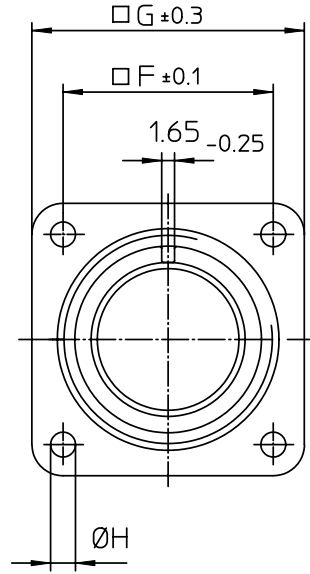
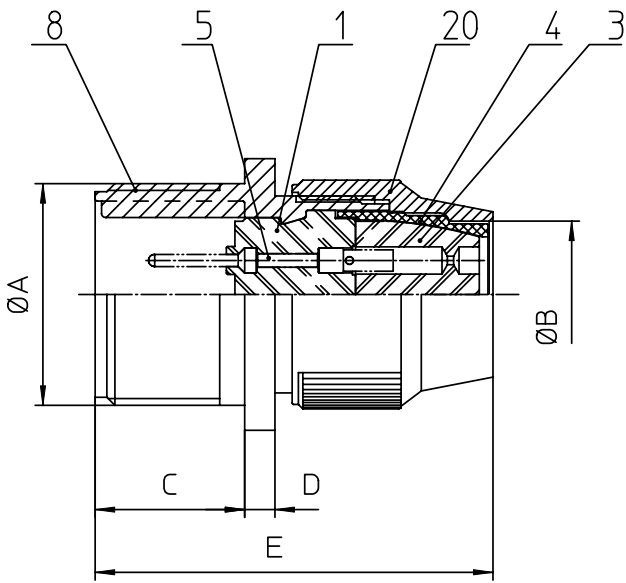
Stocking Distributor

Click to view price, real time Inventory, Delivery & Lifecycle Information:

[ITT Cannon, LLC](#)
[CA3100R10SL-4P](#)

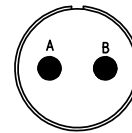
For any questions, you can email us directly:

sales@integrated-circuit.com




| NO. | MASSE / DIMENSION |
|-----|-------------------|
| A | 5/8-24NEF-2A |
| B | 9.6 |
| C | 14.2 |
| D | 2 |
| E | 41 |
| F | 18.2 |
| G | 25.4 |
| H | 3.1 |

| NO. | BESCHREIBUNG / DESCRIPTION |
|-----|-------------------------------------|
| 1 | ISOLIERKÖRPER STIFT / INSULATOR PIN |
| 3 | DICHTKÖRPER / GROMMET |
| 4 | ENDRING / ENDRING |
| 5 | KONTAKTSTIFT/ CONTACT PIN |
| 8 | DOSENGEHÄUSE / SHELL |
| 20 | KURZES ENDGEHÄUSE/SHORT ENDBELL |



Note: Due to an automatic nomenclature system, numbers generated may not be sequential.
 Specification and Dimensions subject to change
 Drawings illustrate normal insulator positioning

| Material Specification: | |
|-------------------------|--|
| Shell Material: | Aluminium alloy |
| Shell Plating: | Olive drab chromate coating over cadmium plating |
| Insulator Material: | Neoprene |
| Contact Material: | Copper alloy |
| Contact Plating: | Hard silver |

| all dimensions are in mm | | Dimensions without tolerance indications are general tolerances in acc. with DIN7168m | drawing for |
|---|--|---|------------------------|
|  <p>Engineered for life ITT CANNON GROUP 91-77388-0000 Summary</p> | | description CA3100R10SL-4P Wall mounting receptacle Shortened light-weight endbell without cable clamp Solder Cup / Pin / Layout: 10SL-4 | CUSTOMER |
| © All rights reserved. Reproduction or issue to third in any form whatever is only permitted with written authorization of ITT Cannon | | page 1/1 | revision 377.3. Jul 16 |