



Excellent Integrated System Limited

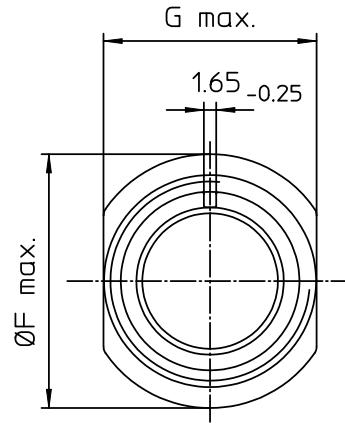
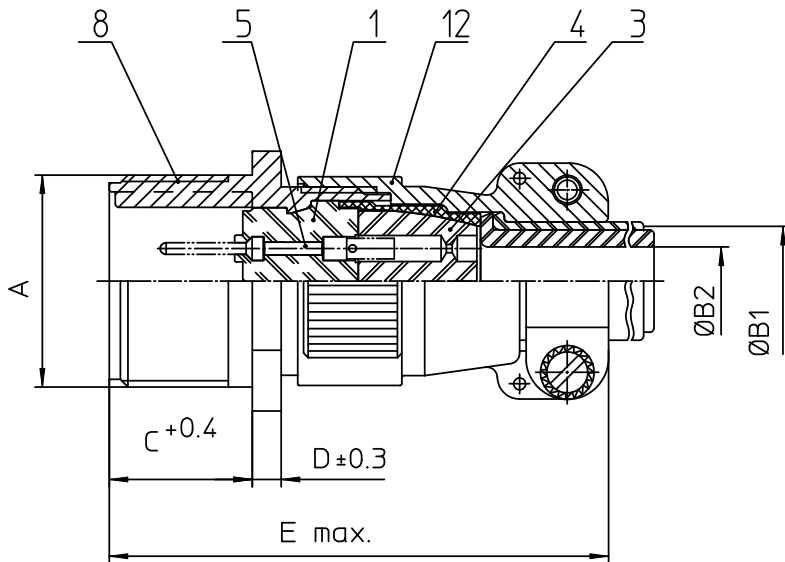
Stocking Distributor

Click to view price, real time Inventory, Delivery & Lifecycle Information:

[ITT Cannon, LLC](#)
[CA3101E14S-7PA206](#)

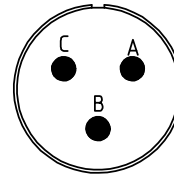
For any questions, you can email us directly:

sales@integrated-circuit.com



NO.	MASSE / DIMENSION
A	7/8-20UNEF-2A
B1	9.1
B2	-
C	14.2
D	3.2
E	55
F	28.2
G	22.5

NO.	BESCHREIBUNG / DESCRIPTION
1	ISOLIERKÖRPER STIFT / INSULATOR PIN
3	DICHTKÖRPER / GROMMET
4	ENDRING / ENDRING
5	KONTAKTSTIFT / CONTACT PIN
8	DOSENGEHÄUSE / SHELL
12	ENDGEHÄUSE / ENDBELL



Note: Due to an automatic nomenclature system, numbers generated may not be sequential.

Specification and Dimensions subject to change
Drawings illustrate normal insulator positioning

Material Specification:

Shell Material: Aluminium alloy
Shell Plating: Black Zinc Cobalt (conductive)
Insulator Material: Neoprene
Contact Material: Copper alloy
Contact Plating: Hard silver

all dimensions are in mm

Dimensions without tolerance indications are general tolerances in acc. with DIN7168m

drawing for
CUSTOMER



Engineered for life
ITT CANNON GERMANY
D-75394 Weinstadt, Germany

description CA3101E14S-7P-A206
Cable connecting plug
Endbell with clamp and bushing
Solder Cup / Pin / Layout: 14S-7

© All rights reserved. Reproduction or issue to third in any form
whatever is only permitted with written authorization of ITT Cannon

page 1/1 revision 377.3, Jul 16