



## **Excellent Integrated System Limited**

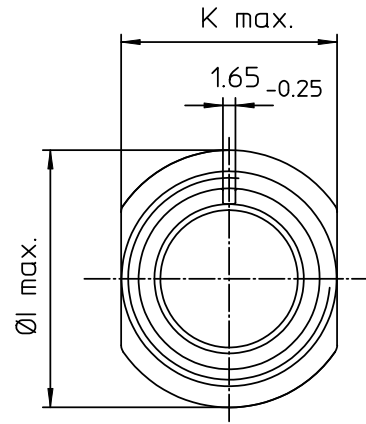
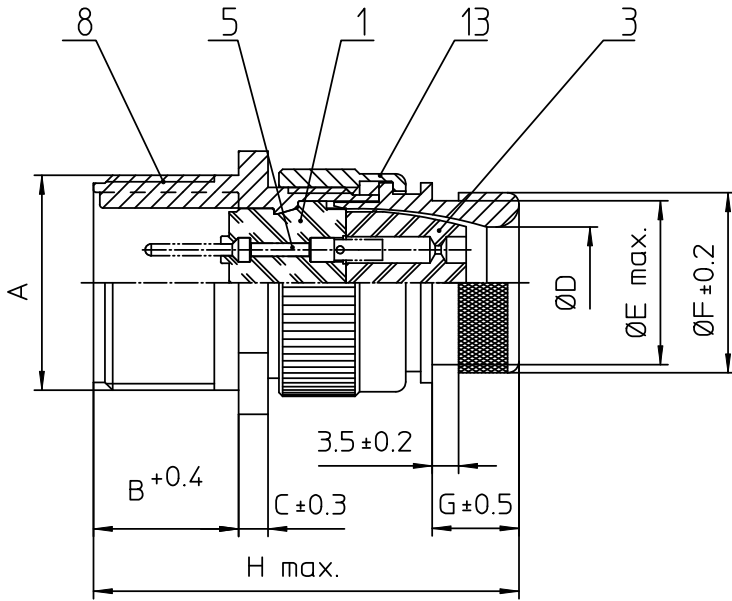
Stocking Distributor

Click to view price, real time Inventory, Delivery & Lifecycle Information:

[ITT Cannon, LLC](#)  
[CA3101E18-11PDN](#)

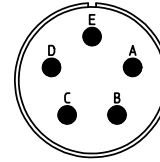
For any questions, you can email us directly:

[sales@integrated-circuit.com](mailto:sales@integrated-circuit.com)




| NO. | MASSE / DIMENSION |
|-----|-------------------|
| A   | 1 1/8-18NEF-2A    |
| B   | 19                |
| C   | 4                 |
| D   | 14.6              |
| E   | 21.9              |
| F   | 23.9              |
| G   | 11                |
| H   | 58                |
| I   | 34.5              |
| K   | 28.9              |

| NO. | BESCHREIBUNG / DESCRIPTION          |
|-----|-------------------------------------|
| 1   | ISOLIERKÖRPER STIFT / INSULATOR PIN |
| 3   | DICHTKÖRPER / GROMMET               |
| 5   | KONTAKTSTIFT/ CONTACT PIN           |
| 8   | DOSENGEHÄUSE / SHELL                |
| 13  | ENDGEHÄUSE DN / ENDBELL HEATSHRINK  |



|  |
|--|
| Note: Due to an automatic nomenclature system, numbers generated may not be sequential.            |
| Specification and Dimensions subject to change<br>Drawings illustrate normal insulator positioning |
| <b>Material Specification:</b>   |
| Shell Material: Aluminium alloy  |
| Shell Plating: Olive drab chromate coating over cadmium plating                                    |
| Insulator Material: Neoprene   |
| Contact Material: Copper alloy   |
| Contact Plating: Hard silver   |

|   |   |
|---|---|
| all dimensions are in mm<br>Dimensions without tolerance indications are general tolerances in acc. with DIN7168m   | drawing for<br>CUSTOMER   |
| <br><b>ITT</b><br><i>Engineered for life</i><br><small>ITT CANNON GmbH<br/>                 61758 Wiesbaden, Germany</small> | description CA3101E18-11P-DN<br>Cable connecting plug<br>Endbell for heatshrink boots<br>Solder Cup / Pin / Layout: 18-11 |
| © All rights reserved. Reproduction or issue to third in any form<br>whatever is only permitted with written authorization of ITT Cannon  | page 1/1<br>revision 377.3, Jul 16  |