



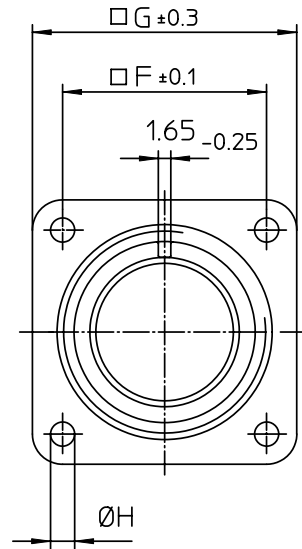
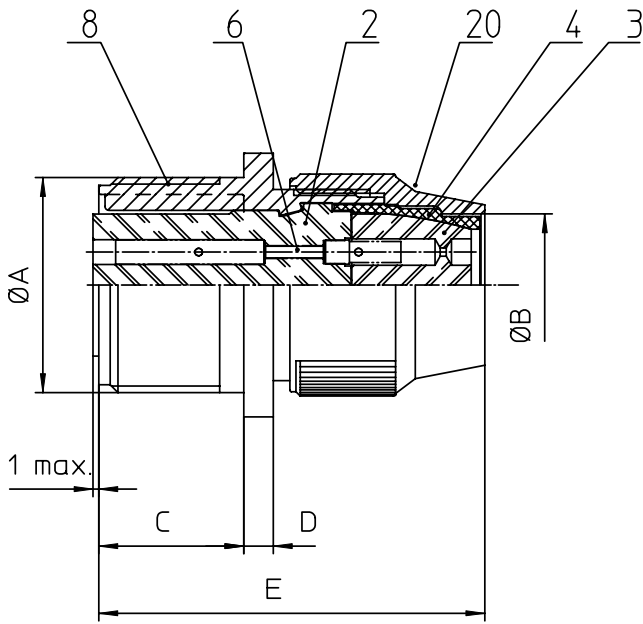
## **Excellent Integrated System Limited**

Stocking Distributor

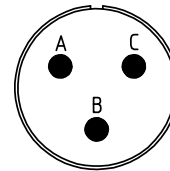
Click to view price, real time Inventory, Delivery & Lifecycle Information:

[ITT Cannon, LLC](#)  
[CA3100R14S-1SF80](#)

For any questions, you can email us directly:  
[sales@integrated-circuit.com](mailto:sales@integrated-circuit.com)





NO.	MASSE / DIMENSION
A	7/8-20UNEF-2A
B	12.4
C	14.2
D	2
E	41
F	23
G	30
H	3.1



NO.	BESCHREIBUNG / DESCRIPTION
2	ISOLIERKÖRPER BUCHSE / INSULATOR SOCKET
3	DICHTKÖRPER / GROMMET
4	ENDRING / ENDRING
6	KONTAKTBUCHSE / CONTACT SOCKET
8	DOSENGEHÄUSE / SHELL
20	KURZES ENDGEHÄUSE/SHORT ENDBELL

Note: Due to an automatic nomenclature system, numbers generated may not be sequential.  
 Specification and Dimensions subject to change  
 Drawings illustrate normal insulator positioning

Material Specification:	
Shell Material:	Aluminium alloy
Shell Plating:	Olive drab chromate coating over cadmium plating
Insulator Material:	Neoprene
Contact Material:	Copper alloy
Contact Plating:	Hard silver

all dimensions are in mm Dimensions without tolerance indications are general tolerances in acc. with DIN7168m		drawing for CUSTOMER
 <b>ITT</b> Engineered for life <small>ITT CANNON GROUP                      91-27358 Wireless Summary</small>	description	CA3100R14S-1S-F80
		Wall mounting receptacle Shortened light-weight endbell without cable clamp AWG Crimp / Socket / Layout: 14S-1
<small>© All rights reserved. Reproduction or issue to third in any form                      whatever is only permitted with written authorization of ITT Cannon.</small>	 page 1/1 revision 377 3. Jul 16	