



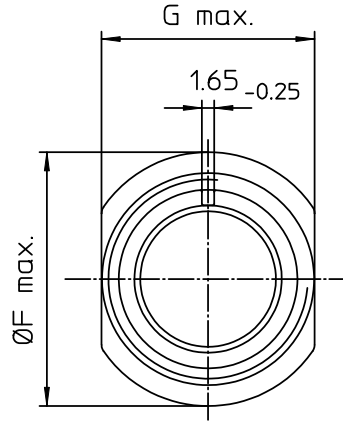
Excellent Integrated System Limited

Stocking Distributor

Click to view price, real time Inventory, Delivery & Lifecycle Information:

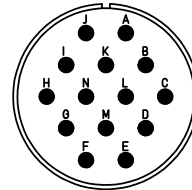
[ITT Cannon, LLC](#)
[CA3101E20-27PA176](#)

For any questions, you can email us directly:
sales@integrated-circuit.com



NO.	MASSE / DIMENSION
A	1 1/4-18NEF-2A
B1	15.9
B2	-
C	19
D	4
E	68
F	37.7
G	32.1

NO.	BESCHREIBUNG / DESCRIPTION
1	ISOLIERKÖRPER STIFT / INSULATOR PIN
3	DICHTKÖRPER / GROMMET
4	ENDRING / ENDRING
5	KONTAKTSTIFT / CONTACT PIN
8	DOSENGEHÄUSE / SHELL
12	ENDGEHÄUSE / ENDBELL



Note: Due to an automatic nomenclature system, numbers generated may not be sequential.

Specification and Dimensions subject to change
Drawings illustrate normal insulator positioning

Material Specification:

Shell Material: Aluminium alloy

Shell Plating: Olive drab chromate coating over cadmium plating

Insulator Material: Neoprene

Contact Material: Copper alloy

Contact Plating: Gold 0,5 & #956;

all dimensions are in mm

Dimensions without tolerance indications are general tolerances in acc. with DIN7168m

drawing for
CUSTOMER



ITT

Engineered for life
ITT CANNON GERMANY
D-75844 Weinstadt-Germersheim

description CA3101E20-27P-A176

Cable connecting plug

Endbell with clamp and bushing

Solder Cup / Pin / Layout: 20-27

© All rights reserved. Reproduction or issue to third in any form
whatever is only permitted with written authorization of ITT Cannon



page 1/1

revision 377.3, Jul 16