



## **Excellent Integrated System Limited**

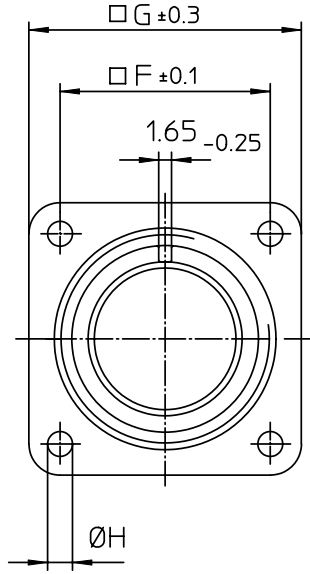
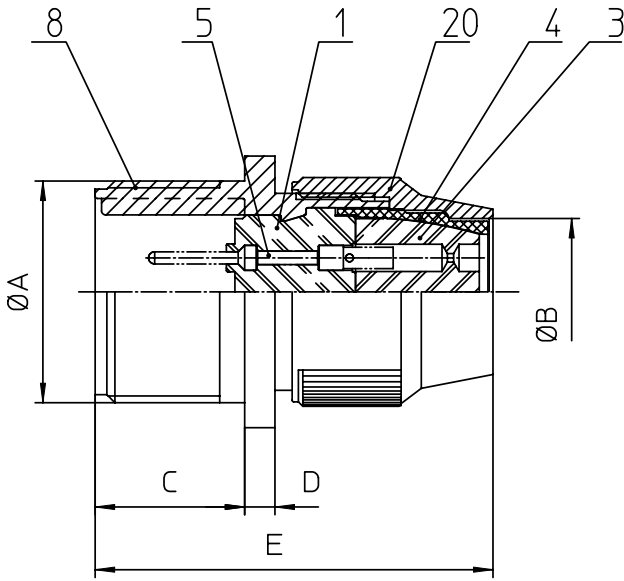
Stocking Distributor

Click to view price, real time Inventory, Delivery & Lifecycle Information:

[ITT Cannon, LLC](#)  
[CA3100R28-20PF80F0](#)

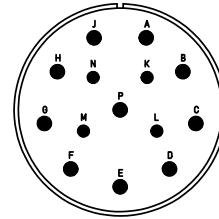
For any questions, you can email us directly:

[sales@integrated-circuit.com](mailto:sales@integrated-circuit.com)




NO.	MASSE / DIMENSION
A	1 3/4-18NS-2A
B	31.6
C	20.6
D	2.4
E	53
F	39.7
G	50.8
H	3.7

NO.	BESCHREIBUNG / DESCRIPTION
1	ISOLIERKÖRPER STIFT / INSULATOR PIN
3	DICHTKÖRPER / GROMMET
4	ENDRING / ENDRING
5	KONTAKTSTIFT/ CONTACT PIN
8	DOSENGEHÄUSE / SHELL
20	KURZES ENDGEHÄUSE/SHORT ENDBELL



Note: Due to an automatic nomenclature system, numbers generated may not be sequential.  
Specification and Dimensions subject to change  
Drawings illustrate normal insulator positioning

**Material Specification:**  
Shell Material: Aluminium alloy  
Shell Plating: Olive drab chromate coating over cadmium plating  
Insulator Material: Neoprene  
Contact Material: Copper alloy  
Contact Plating: Hard silver

all dimensions are in mm Dimensions without tolerance indications are general tolerances in acc. with DIN7168m	drawing for CUSTOMER
 Engineered for life ITT CANNON GROUP 91-77338-0000-00 Summary	description CA3100R28-20P-F80-F0 Wall mounting receptacle Shortened light-weight endbell without cable clamp AWG Crimp / Pin / Layout: 28-20
© All rights reserved. Reproduction or issue to third in any form whenever & only permitted with written authorization of ITT Cannon	page 1/1 revision 377 3. Jul 16