



## **Excellent Integrated System Limited**

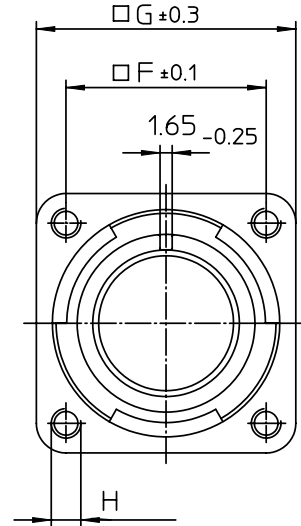
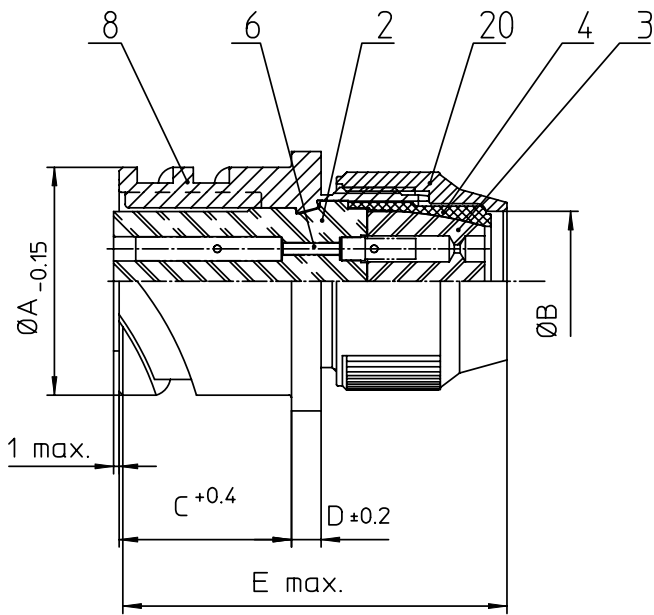
Stocking Distributor

Click to view price, real time Inventory, Delivery & Lifecycle Information:

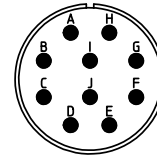
[ITT Cannon, LLC](#)  
[CA3100R18-1SWB](#)

For any questions, you can email us directly:

[sales@integrated-circuit.com](mailto:sales@integrated-circuit.com)




NO.	MASSE / DIMENSION
A	30.8
B	18.4
C	23.05
D	4
E	56
F	27
G	35
H	M4



NO.	BESCHREIBUNG / DESCRIPTION
2	ISOLIERKÖRPER BUCHSE / INSULATOR SOCKET
3	DICHTKÖRPER / GROMMET
4	ENDRING / ENDRING
6	KONTAKTBÜCHSE / CONTACT SOCKET
8	DOSENGEHÄUSE / SHELL
20	KURZES ENDGEHÄUSE/SHORT ENDBELL

Note: Due to an automatic nomenclature system, numbers generated may not be sequential.  
**Specification and Dimensions subject to change**  
 Drawings illustrate normal insulator positioning

Material Specification:	
Shell Material:	Aluminium alloy
Shell Plating:	Olive drab chromate over cadmium (conductive)
Insulator Material:	CR-Elastomere
Contact Material:	Copper alloy
Contact Plating:	Hard silver

all dimensions are in mm		Dimensions without tolerance indications are general tolerances in acc. with DIN7168m	drawing for
 <b>ITT</b> Engineered for life <small>ITT CANNON DESIGN            01-71500-00000 Summary</small>		description	CA3100R18-1SWB
		Wall mounting receptacle Shortened light-weight endbell without cable clamp Solder Cup / Socket / Layout: 18-1	
<small>© All rights reserved. Reproduction or issue to third in any form            whatever is only permitted with written authorization of ITT Cannon</small>		page	revision
		1/1	786 4. Jul 16