



Excellent Integrated System Limited

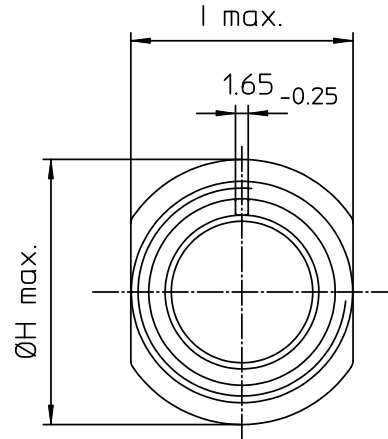
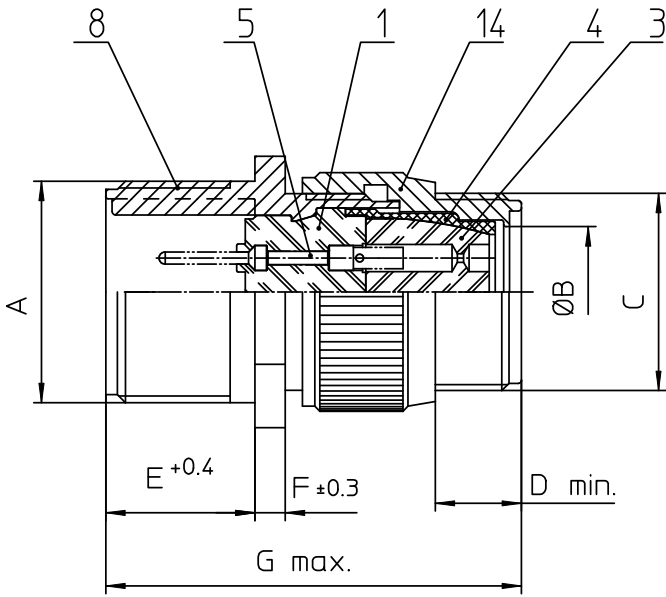
Stocking Distributor

Click to view price, real time Inventory, Delivery & Lifecycle Information:

[ITT Cannon, LLC](#)
[CA3101F12S-A10PF80](#)

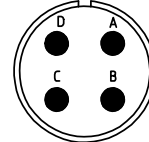
For any questions, you can email us directly:

sales@integrated-circuit.com





| NO. | MASSE / DIMENSION |
|-----|-------------------|
| A | 3/4-20UNEF-2A |
| B | 8.2 |
| C | 5/8-24NEF-2A |
| D | 9.5 |
| E | 14.2 |
| F | 3.2 |
| G | 45 |
| H | 25 |
| I | 19.4 |

| NO. | BESCHREIBUNG / DESCRIPTION |
|-----|-------------------------------------|
| 1 | ISOLIERKÖRPER STIFT / INSULATOR PIN |
| 3 | DICHTKÖRPER / GROMMET |
| 4 | ENDRING / ENDRING |
| 5 | KONTAKTSTIFT/ CONTACT PIN |
| 8 | DOSENGEHÄUSE / SHELL |
| 14 | F-ENDGEHÄUSE / F-ENDBELL |



Note: Due to an automatic nomenclature system, numbers generated may not be sequential.
Specification and Dimensions subject to change
Drawings illustrate normal insulator positioning

| Material Specification: | |
|-------------------------|--|
| Shell Material: | Aluminium alloy |
| Shell Plating: | Olive drab chromate coating over cadmium plating |
| Insulator Material: | Neoprene |
| Contact Material: | Copper alloy |
| Contact Plating: | Hard silver |

| all dimensions are in mm | | Dimensions without tolerance indications are general tolerances in acc. with DIN7168m | drawing for CUSTOMER |
|---|---|---|---------------------------|
|  ITT Engineered for life <small>ITT CANNON GmbH D-71334 Winstedt/Germany</small> | description | CA3101F12SA10P-F80 | |
| | | Cable connecting plug Endbell for flex tube AWG Crimp / Pin / Layout: 12SA10 | |
| <small>© All rights reserved. Reproduction or issue in kind in any form whenever is only permitted with written authorization of ITT Cannon</small> |  | page 1/1 | revision 377.3. Jul 16 |