



## **Excellent Integrated System Limited**

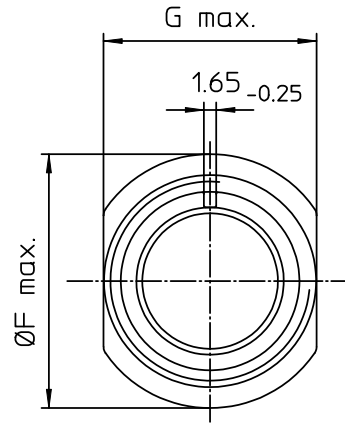
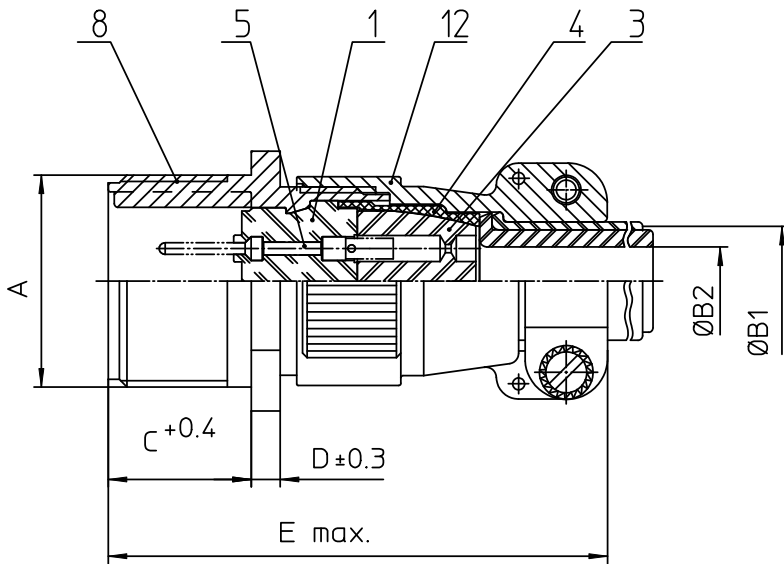
Stocking Distributor

Click to view price, real time Inventory, Delivery & Lifecycle Information:

[ITT Cannon, LLC](#)  
[CA3101E20-23P](#)

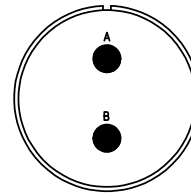
For any questions, you can email us directly:

[sales@integrated-circuit.com](mailto:sales@integrated-circuit.com)



| NO. | MASSE / DIMENSION |
|-----|-------------------|
| A   | 1 1/4-18NEF-2A    |
| B1  | 15.9              |
| B2  | -                 |
| C   | 19                |
| D   | 4                 |
| E   | 68                |
| F   | 37.7              |
| G   | 32.1              |

| NO. | BESCHREIBUNG / DESCRIPTION          |
|-----|-------------------------------------|
| 1   | ISOLIERKÖRPER STIFT / INSULATOR PIN |
| 3   | DICHTKÖRPER / GROMMET               |
| 4   | ENDRING / ENDRING                   |
| 5   | KONTAKTSTIFT / CONTACT PIN          |
| 8   | DOSENGEHÄUSE / SHELL                |
| 12  | ENDGEHÄUSE / ENDBELL                |



Note: Due to an automatic nomenclature system, numbers generated may not be sequential.  
Specification and Dimensions subject to change  
Drawings illustrate normal insulator positioning

| Material Specification:   |
|---|
| Shell Material: Aluminium alloy                                 |
| Shell Plating: Olive drab chromate coating over cadmium plating |
| Insulator Material: Neoprene                                    |
| Contact Material: Copper alloy                                  |
| Contact Plating: Hard silver                                    |

all dimensions are in mm  
Dimensions without tolerance indications are general tolerances in acc. with DIN7168m  
drawing for CUSTOMER



description CA3101E20-23P  
Cable connecting plug  
Endbell with clamp and bushing  
Solder Cup / Pin / Layout: 20-23

© All rights reserved. Reproduction or issue to third in any form  
whatever is only permitted with written authorization of ITT Cannon  
page 1/1 revision 377.3, Jul 16