



Excellent Integrated System Limited

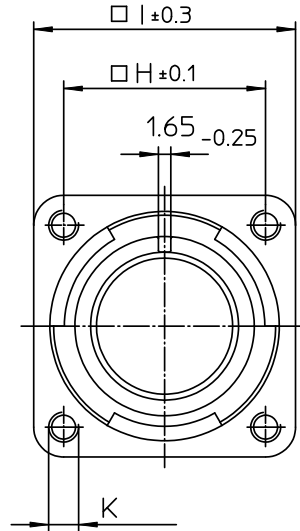
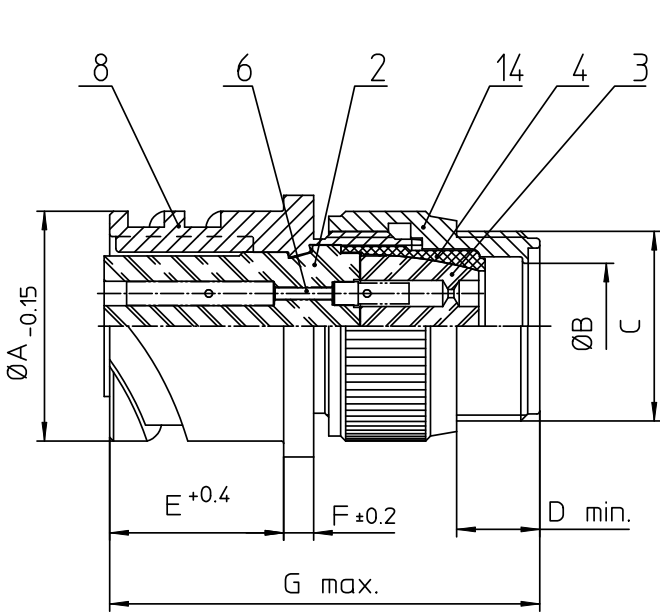
Stocking Distributor

Click to view price, real time Inventory, Delivery & Lifecycle Information:

[ITT Cannon, LLC](#)
[CA3100F36-15SB](#)

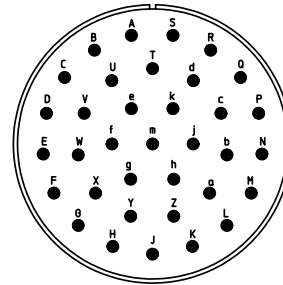
For any questions, you can email us directly:

sales@integrated-circuit.com




| NO. | MASSE / DIMENSION |
|-----|-------------------|
| A | 59.6 |
| B | 35.7 |
| C | 2-18UNS-2A |
| D | 11.8 |
| E | 24.05 |
| F | 4 |
| G | 66 |
| H | 49.2 |
| I | 63.5 |
| K | M5 |

| NO. | BESCHREIBUNG / DESCRIPTION |
|-----|---|
| 2 | ISOLIERKÖRPER BUCHSE / INSULATOR SOCKET |
| 3 | DICKTKÖRPER / GROMMET |
| 4 | ENDRING / ENDRING |
| 6 | KONTAKTBUCHSE / CONTACT SOCKET |
| 8 | DOSENGEHÄUSE / SHELL |
| 14 | F-ENDGEHÄUSE / F-ENDBELL |



| |
|--|
| Note: Due to an automatic nomenclature system, numbers generated may not be sequential. |
| Specification and Dimensions subject to change Drawings illustrate normal insulator positioning |
| Material Specification: |
| Shell Material: Aluminium alloy |
| Shell Plating: Olive drab chromate over cadmium (conductive) |
| Insulator Material: CR-Elastomere |
| Contact Material: Copper alloy |
| Contact Plating: Hard silver |

| | |
|---|---|
| all dimensions are in mm Dimensions without tolerance indications are general tolerances in acc. with DIN7168m | drawing for CUSTOMER |
|  ITT Engineered for life ITT CANNON GmbH D-71284 Wernau/Germany | description CA3100F36-15S-B Wall mounting receptacle Endbell for flex tube Solder Cup / Socket / Layout: 36-15 |
| © All rights reserved. Reproduction or issue to third in any form whatever is only permitted with written authorization of ITT Cannon | page 1/1 revision 786.4, Jul 16 |