



## **Excellent Integrated System Limited**

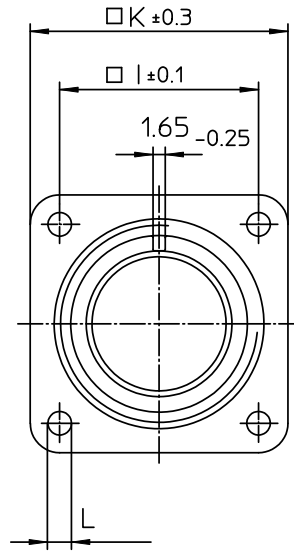
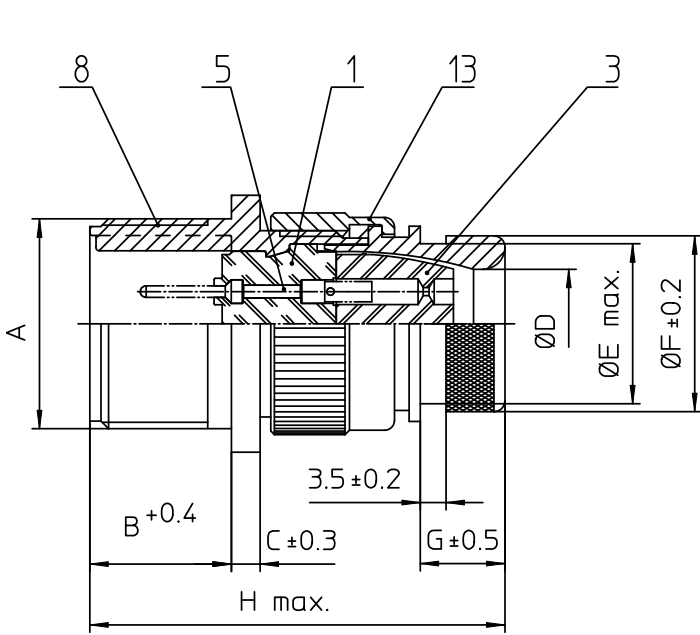
Stocking Distributor

Click to view price, real time Inventory, Delivery & Lifecycle Information:

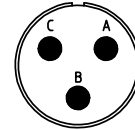
[ITT Cannon, LLC](#)  
[CA3100E10SL-3PF80DN](#)

For any questions, you can email us directly:

[sales@integrated-circuit.com](mailto:sales@integrated-circuit.com)




NO.	MASSE / DIMENSION
A	5/8-24NEF-2A
B	14.2
C	2.8
D	7.7
E	13.3
F	15.5
G	11.7
H	49
I	18.2
K	25.4
L	3.1



NO.	BESCHREIBUNG / DESCRIPTION
1	ISOLIERKÖRPER STIFT / INSULATOR PIN
3	DICHTKÖRPER / GROMMET
5	KONTAKTSTIFT/ CONTACT PIN
8	DOSENGEHÄUSE / SHELL
13	ENDGEHÄUSE DN / ENDBELL HEATSHRINK

Note: Due to an automatic nomenclature system, numbers generated may not be sequential.  
 Specification and Dimensions subject to change  
 Drawings illustrate normal insulator positioning

Material Specification:	
Shell Material:	Aluminium alloy
Shell Plating:	Olive drab chromate coating over cadmium plating
Insulator Material:	Neoprene
Contact Material:	Copper alloy
Contact Plating:	Hard silver

all dimensions are in mm		Dimensions without tolerance indications are general tolerances in acc. with DIN7168m	drawing for CUSTOMER
 Engineered for life ITT CANON CRIMPT D-73296 Ulm/Weissenhof, Germany	description	CA3100E10SL-3P-F80-DN	
		Wall mounting receptacle Endbell for heatshrink boots AWG Crimp / Pin / Layout: 10SL-3	
© All rights reserved. Reproduction or use in third in any form whatever is only permitted with written authorization of ITT Cannon	page 1/1	revision 377.3. Jul 16	