

## Excellent Integrated System Limited

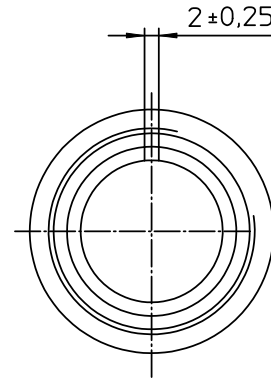
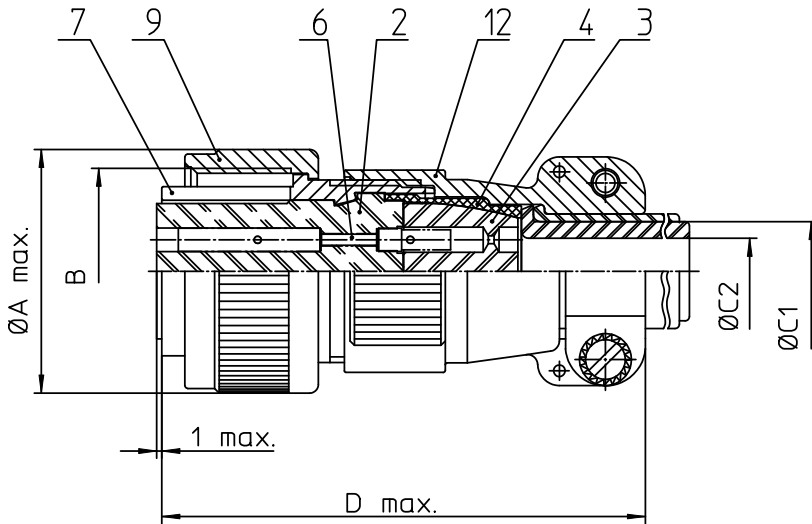
Stocking Distributor

Click to view price, real time Inventory, Delivery & Lifecycle Information:

[ITT Cannon, LLC](#)  
[CA06E18-12SF80](#)

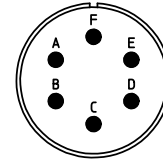
For any questions, you can email us directly:

[sales@integrated-circuit.com](mailto:sales@integrated-circuit.com)



NO.	MASSE / DIMENSION
A	34.1
B	1 1/8-18NEF-2B
C1	14.3
C2	-
D	68


NO.	BESCHREIBUNG / DESCRIPTION
2	ISOLIERKÖRPER BUCHSE / INSULATOR SOCKET
3	DICHTKÖRPER / GROMMET
4	ENDRING / ENDRING
6	KONTAKTBUCHSE / CONTACT SOCKET
7	ZYLINDERGHÄUSE / BARREL
9	ÜBERWURFMUTTER / COUPLING NUT
12	ENDGEHÄUSE / ENDBELL



Note: Due to an automatic nomenclature system, numbers generated may not be sequential.

Specification and Dimensions subject to change  
Drawings illustrate normal insulator positioning

Material Specification:	
Shell Material:	Aluminium alloy
Shell Plating:	Olive drab chromate coating over cadmium plating
Insulator Material:	Neoprene
Contact Material:	Copper alloy
Contact Plating:	Hard silver

all dimensions are in mm		drawing for	
Dimensions without tolerance indications are general tolerances in acc. with DIN7168m		CUSTOMER	
 <b>ITT</b> <i>Engineered for life</i> <small>ITT CANNON GmbH                      61-7584 Wiesbaden, Germany</small>	description CA06E18-12S-F80		
	Plug, straight		
	Endbell with clamp and bushing AWG Crimp / Socket / Layout: 18-12		
© All rights reserved. Reproduction or issue to third in any form whenever is only permitted with written authorization of ITT Cannon	page 1/1	revision 377.3, Jul 16	