



## **Excellent Integrated System Limited**

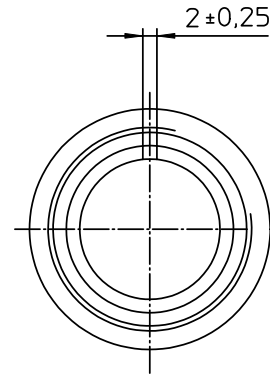
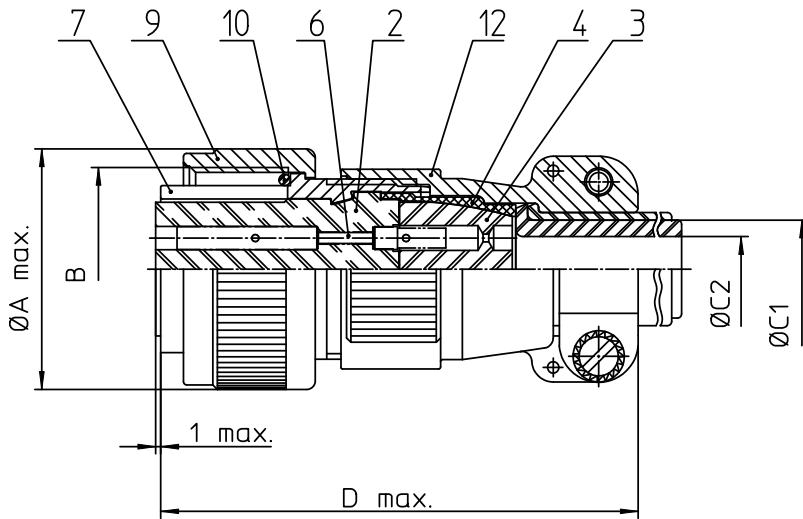
Stocking Distributor

Click to view price, real time Inventory, Delivery & Lifecycle Information:

[ITT Cannon, LLC](#)  
[CA06R14S-7SYF80](#)

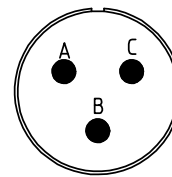
For any questions, you can email us directly:

[sales@integrated-circuit.com](mailto:sales@integrated-circuit.com)




| NO. | MASSE / DIMENSION |
|-----|-------------------|
| A   | 28.8              |
| B   | 7/8-20UNEF-2B     |
| C1  | 9.1               |
| C2  | -                 |
| D   | 55                |

| NO. | BESCHREIBUNG / DESCRIPTION              |
|-----|---|
| 2   | ISOLIERKÖRPER BUCHSE / INSULATOR SOCKET |
| 3   | DICHTKÖRPER / GROMMET                   |
| 4   | ENDRING / ENDRING                       |
| 6   | KONTAKTBÜCHSE / CONTACT SOCKET          |
| 7   | ZYLINDERGHÄUSE / BARREL                 |
| 9   | ÜBERWURFMUTTER / COUPLING NUT           |
| 10  | DICHTRING FRONT / FRONT SEALING RING    |
| 12  | ENDGEHÄUSE / ENDBELL                    |



Note: Due to an automatic nomenclature system, numbers generated may not be sequential.  
Specification and Dimensions subject to change  
Drawings illustrate normal insulator positioning

| Material Specification: |  |
|-------------------------|--|
| Shell Material:         | Aluminium alloy                                  |
| Shell Plating:          | Olive drab chromate coating over cadmium plating |
| Insulator Material:     | Neoprene   |
| Contact Material:       | Copper alloy                                     |
| Contact Plating:        | Hard silver                                      |

| all dimensions are in mm<br>Dimensions without tolerance indications are general tolerances in acc. with DIN7168m  |  | drawing for<br>CUSTOMER            |
|--|--|------------------------------------|
| <br><b>ITT</b><br>Engineered for life<br><small>ITT CANNON GmbH<br/>D-37086 Verden/Leine, Germany</small> | description CA06R14S-7SY-F80<br>Plug, straight<br>Endbell with cable clamp<br>AWG Crimp / Socket / Layout: 14S-7   |                                    |
|  | <small>© All rights reserved. Reproduction or issue in third in any form<br/>whenever is only permitted with written authorization of ITT Cannon</small> | page 1/1<br>revision 377.3, Jul 16 |