



Excellent Integrated System Limited

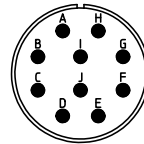
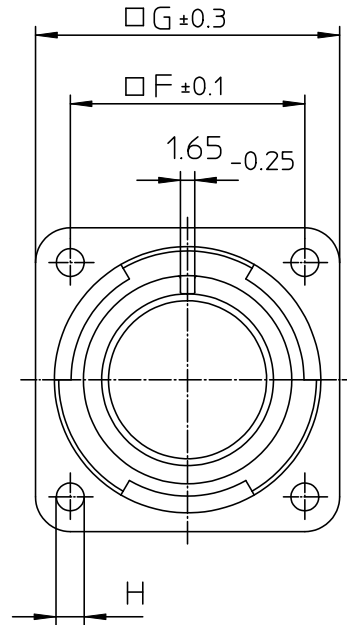
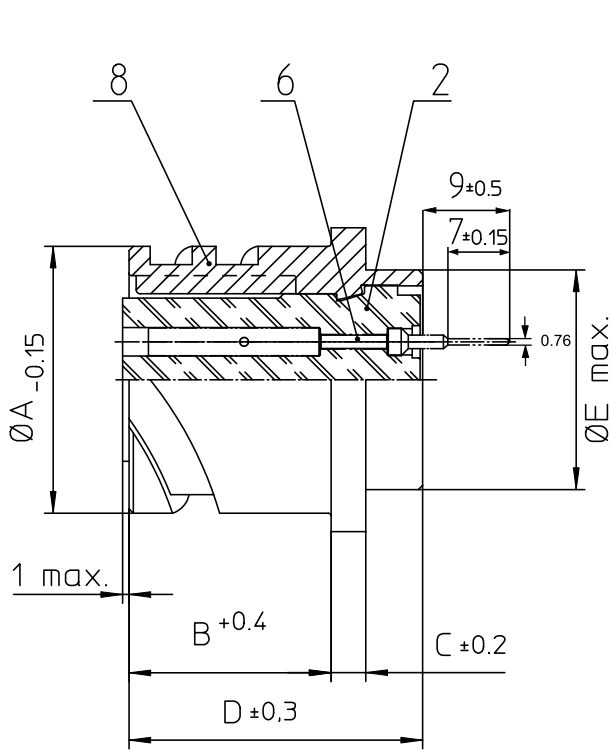
Stocking Distributor

Click to view price, real time Inventory, Delivery & Lifecycle Information:

[ITT Cannon, LLC](#)
[CA20L18-1SB05](#)

For any questions, you can email us directly:

sales@integrated-circuit.com



| NO. | MASSE / DIMENSION |
|-----|-------------------|
| A | 30.8 |
| B | 23.05 |
| C | 4 |
| D | 33.8 |
| E | 25.6 |
| F | 27 |
| G | 35 |
| H | 3.2 |

| NO. | BESCHREIBUNG / DESCRIPTION |
|-----|---|
| 2 | ISOLIERKÖRPER BUCHSE / INSULATOR SOCKET |
| 6 | KONTAKTBUCHSE / CONTACT SOCKET |
| 8 | DOSENGEHÄUSE / SHELL |

Note: Due to an automatic nomenclature system, numbers generated may not be sequential.
Specification and Dimensions subject to change
Drawings illustrate normal insulator positioning

| Material Specification: | |
|-------------------------|---|
| Shell Material: | Aluminium alloy |
| Shell Plating: | Olive drab chromate over cadmium (conductive) |
| Insulator Material: | CR-Elastomere |
| Contact Material: | Copper alloy |
| Contact Plating: | Hard silver |

all dimensions are in mm
Dimensions without tolerance indications are general tolerances in acc. with DIN7168m



Engineered for life
ITT CANNON GROUP
51-71366-1/Rev01/02/03/04/05/06/07/08/09/10/11/12/13/14/15/16/17/18/19/20/21/22/23/24/25/26/27/28/29/30/31/32/33/34/35/36/37/38/39/40/41/42/43/44/45/46/47/48/49/50/51/52/53/54/55/56/57/58/59/60/61/62/63/64/65/66/67/68/69/70/71/72/73/74/75/76/77/78/79/80/81/82/83/84/85/86/87/88/89/90/91/92/93/94/95/96/97/98/99/100

© All rights reserved. Reproduction or use in any form without written authorization of ITT Cannon

drawing for
CUSTOMER

description CA20L18-1S-B-05
Box mounting receptacle (rear mount, through holes)

PCB Ø 0,76 / Socket / Layout: 18-1

page 1/2
revision 786 4. Jul 16