



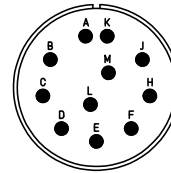
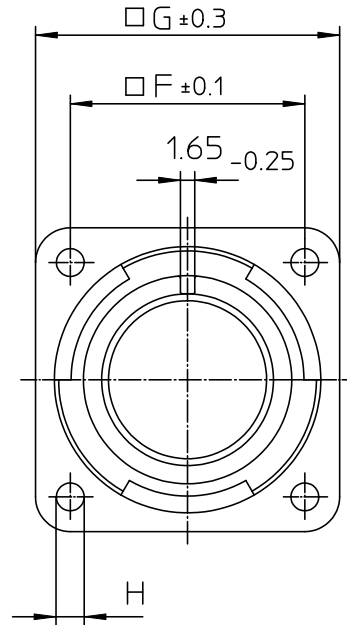
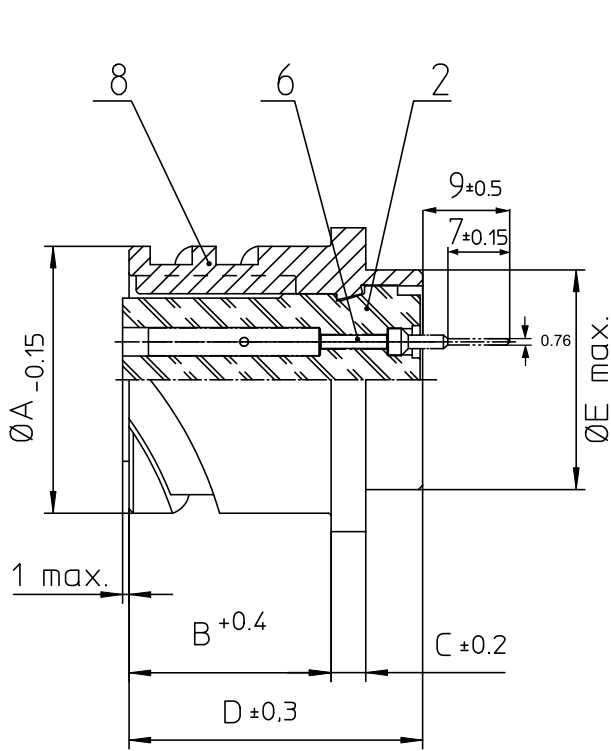
## **Excellent Integrated System Limited**

Stocking Distributor

Click to view price, real time Inventory, Delivery & Lifecycle Information:

[ITT Cannon, LLC](#)  
[CA02L20-33SBA232](#)

For any questions, you can email us directly:  
[sales@integrated-circuit.com](mailto:sales@integrated-circuit.com)



| NO. | MASSE / DIMENSION |
|-----|-------------------|
| A   | 34.2              |
| B   | 19                |
| C   | 4                 |
| D   | 33.8              |
| E   | 29                |
| F   | 29.4              |
| G   | 38                |
| H   | 3.2               |

| NO. | BESCHREIBUNG / DESCRIPTION              |
|-----|---|
| 2   | ISOLIERKÖRPER BUCHSE / INSULATOR SOCKET |
| 6   | KONTAKTBUCHSE / CONTACT SOCKET          |
| 8   | DOSENGEHÄUSE / SHELL                    |

Note: Due to an automatic nomenclature system, numbers generated may not be sequential.  
Specification and Dimensions subject to change  
Drawings illustrate normal insulator positioning

| Material Specification: |                                 |
|-------------------------|---------------------------------|
| Shell Material:         | Aluminium alloy                 |
| Shell Plating:          | Zinc cobalt, black (conductive) |
| Insulator Material:     | CR-Elastomere                   |
| Contact Material:       | Copper alloy                    |
| Contact Plating:        | Hard silver                     |

all dimensions are in mm  
Dimensions without tolerance indications are general tolerances in acc. with DIN7168m

drawing for  
CUSTOMER



description CA02L20-33S-B-A232  
Box mounting receptacle

Engineered for life  
ITT CANNON GROUP  
51-71366-1/Rev000 Germany

PCB Ø 0,76 / Socket / Layout: 20-33

© All rights reserved. Reproduction or use in any form without written authorization of ITT Cannon

page 1/2 revision 786 4. Jul 16