



Distributor of ITT Cannon, LLC: Excellent Integrated System Limited

Datasheet of CA08EW14S-5PB - CONN PLUG 5POS RT ANG W/PINS

Contact us: sales@integrated-circuit.com Website: www.integrated-circuit.com

Excellent Integrated System Limited

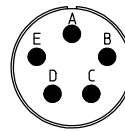
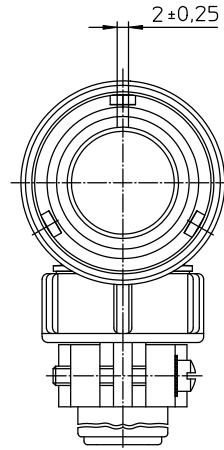
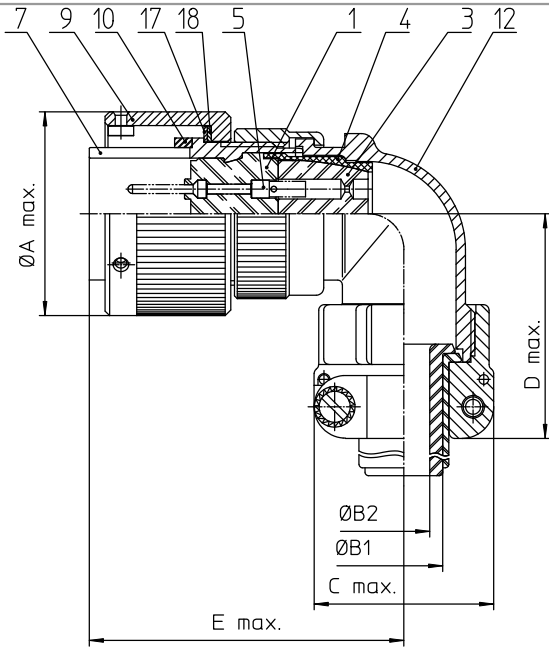
Stocking Distributor

Click to view price, real time Inventory, Delivery & Lifecycle Information:

[ITT Cannon, LLC](#)
[CA08EW14S-5PB](#)

For any questions, you can email us directly:

sales@integrated-circuit.com



NO.	MASSE / DIMENSION
A	29.2
B1	9.1
B2	-
C	27.5
D	42
E	47

NO.	BESCHREIBUNG / DESCRIPTION
1	ISOLIERKÖRPER STIFT / INSULATOR PIN
3	DICHTKÖRPER / GROMMET
4	ENDRING / ENDRING
5	KONTAKTSTIFT/ CONTACT PIN
7	ZYLINDERGHÄUSE / BARREL
9	ÜBERWURFMUTTER / COUPLING NUT
10	DICHTRING FRONT / FRONT SEALING RING
12	ENDEGHÄUSE / ENDBELL
17	REIBRING / FRICTION RING
18	WELLFEDER / WASHER

Note: Due to an automatic nomenclature system, numbers generated may not be sequential.
Specification and Dimensions subject to change.
Drawings illustrate normal insulator positioning.

Material Specification:	
Shell Material:	Aluminium alloy
Shell Plating:	Olive drab chromate over cadmium (conductive)
Insulator Material:	CR-Elastomere
Contact Material:	Copper alloy
Contact Plating:	Hard silver

All dimensions are in mm
Dimensions without tolerance indications are general tolerances in acc. with DIN7550.

drawing for
CUSTOMER

 Engineered for life <small>ITT Cannon Corp. 1750 Woodbury Avenue</small>	description CA08EW14S-5P-B Plug, 90° with spring washer and 90° endbell Solder Cup / Pin / Layout: 14S-5
	© All rights reserved. Reproduction or issue to third party without consent is only possible with written authorization of ITT Cannon.