



Excellent Integrated System Limited

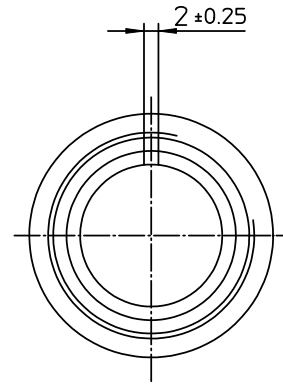
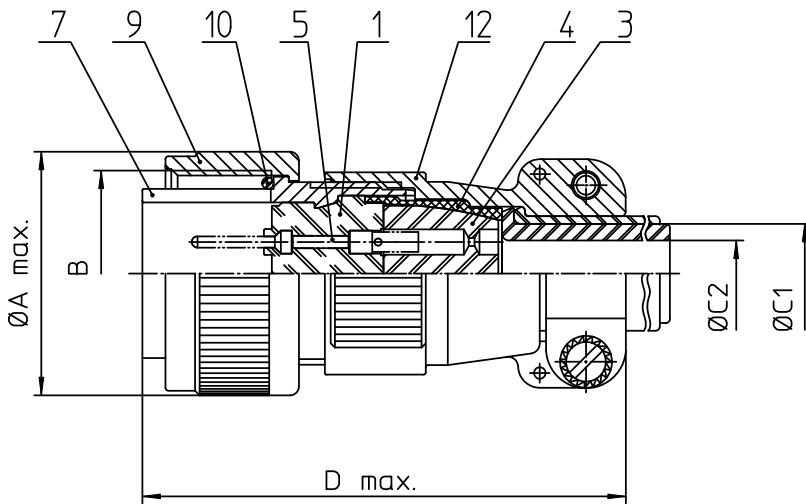
Stocking Distributor

Click to view price, real time Inventory, Delivery & Lifecycle Information:

[ITT Cannon, LLC](#)
[CA06R22-2PYF80](#)

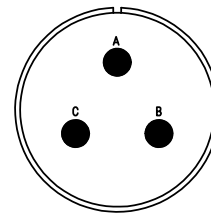
For any questions, you can email us directly:

sales@integrated-circuit.com




NO.	MASSE / DIMENSION
A	40.5
B	1 3/8-18NEF-2B
C1	15.9
C2	-
D	68

NO.	BESCHREIBUNG / DESCRIPTION
1	ISOLIERKÖRPER STIFT / INSULATOR PIN
3	DICHTKÖRPER / GROMMET
4	ENDRING / ENDRING
5	KONTAKTSTIFT/ CONTACT PIN
7	ZYLINDERGHÄUSE / BARREL
9	ÜBERWURFMUTTER / COUPLING NUT
10	DICHTRING FRONT / FRONT SEALING RING
12	ENDGEHÄUSE / ENDBELL



Note: Due to an automatic nomenclature system, numbers generated may not be sequential.
Specification and Dimensions subject to change
Drawings illustrate normal insulator positioning

Material Specification:
Shell Material: Aluminium alloy
Shell Plating: Olive drab chromate coating over cadmium plating
Insulator Material: Neoprene
Contact Material: Copper alloy
Contact Plating: Hard silver

all dimensions are in mm		drawing for
Dimensions without tolerance indications are general tolerances in acc. with DIN7168m		CUSTOMER
 ITT <i>Engineered for life</i> <small>ITT CANNON GmbH 61-7584 Wiesbaden/Germany</small>	description CA06R22-2PY-F80 Plug, straight Endbell with cable clamp AWG Crimp / Pin / Layout: 22-2	
	<small>© All rights reserved. Reproduction or issue to third in any form whatever is only permitted with written authorization of ITT Cannon</small>	page 1/1 revision 377.3, Jul 16