



## **Excellent Integrated System Limited**

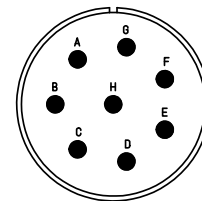
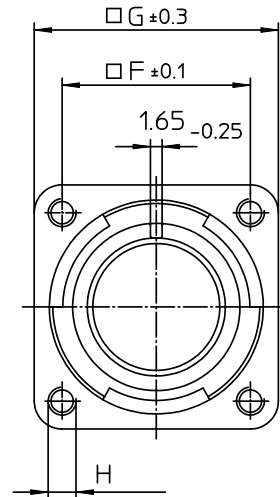
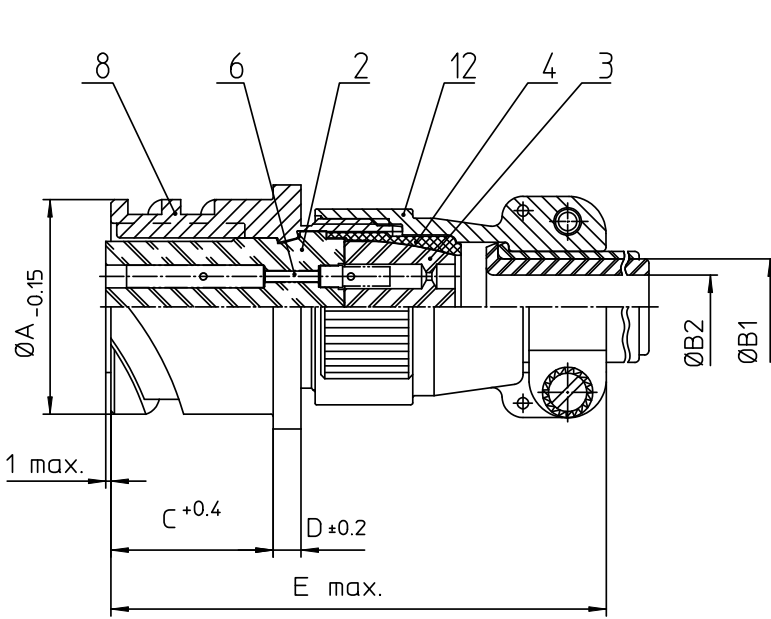
Stocking Distributor

Click to view price, real time Inventory, Delivery & Lifecycle Information:

[ITT Cannon, LLC](#)  
[CA3100E22-23SYBF80F0](#)

For any questions, you can email us directly:

[sales@integrated-circuit.com](mailto:sales@integrated-circuit.com)



NO.	MASSE / DIMENSION
A	37.4
B1	15.9
B2	-
C	23.05
D	4
E	72
F	31.8
G	41
H	M4

NO.	BESCHREIBUNG / DESCRIPTION
2	ISOLIERKÖRPER BUCHSE / INSULATOR SOCKET
3	DICHTKÖRPER / GROMMET
4	ENDRING / ENDRING
6	KONTAKTBUCHSE / CONTACT SOCKET
8	DOSENGEHÄUSE / SHELL
12	ENDGEHÄUSE / ENDBELL

Note: Due to an automatic nomenclature system, numbers generated may not be sequential.  
Specification and Dimensions subject to change  
Drawings illustrate normal insulator positioning

Material Specification:	
Shell Material:	Aluminium alloy
Shell Plating:	Olive drab chromate over cadmium (conductive)
Insulator Material:	CR-Elastomere
Contact Material:	Copper alloy
Contact Plating:	Hard silver

all dimensions are in mm

Dimensions without tolerance indications are general tolerances in acc. with DIN7168m

drawing for  
CUSTOMER



Engineered for life  
ITT CANNON GmbH  
D-71284 Heinstadt/Germany

description CA3100E22-23SYB-F80-F0  
Wall mounting receptacle  
Endbell with clamp and bushing  
AWG Crimp / Socket / Layout: 22-23

© All rights reserved. Reproduction or issue to third in any form without written authorization of ITT Cannon

page 1/1 revision 786 4. Jul 16