



Excellent Integrated System Limited

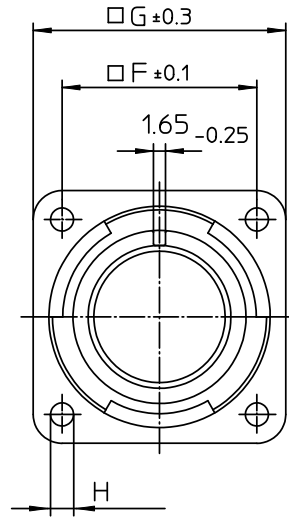
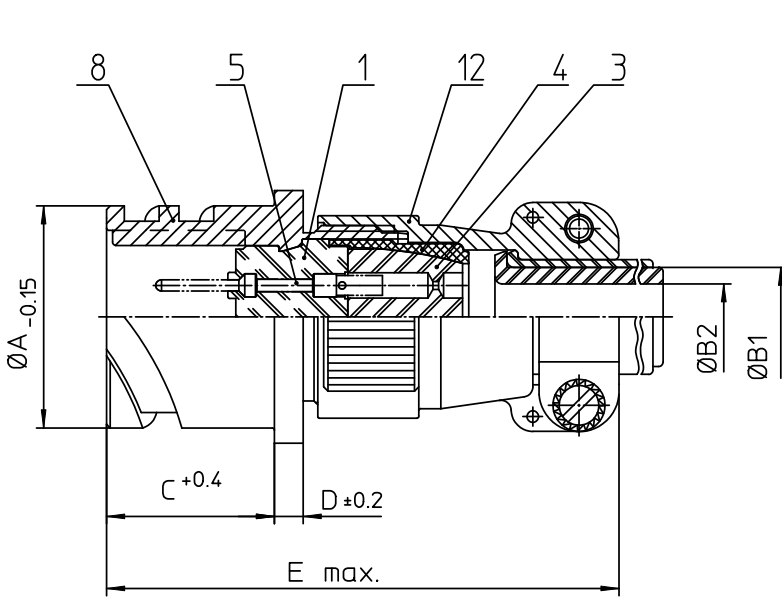
Stocking Distributor

Click to view price, real time Inventory, Delivery & Lifecycle Information:

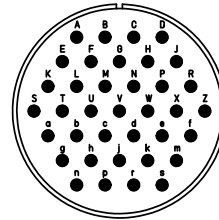
[ITT Cannon, LLC](#)
[CA3100E28-21PWBF80-05](#)

For any questions, you can email us directly:

sales@integrated-circuit.com



| NO. | MASSE / DIMENSION |
|-----|-------------------|
| A | 46.7 |
| B1 | 21.5 |
| B2 | 16.6 |
| C | 24.05 |
| D | 4 |
| E | 78 |
| F | 39.7 |
| G | 50.8 |
| H | 3.7 |



| NO. | BESCHREIBUNG / DESCRIPTION |
|-----|-------------------------------------|
| 1 | ISOLIERKÖRPER STIFT / INSULATOR PIN |
| 3 | DICHTKÖRPER / GROMMET |
| 4 | ENDRING / ENDRING |
| 5 | KONTAKTSTIFT/ CONTACT PIN |
| 8 | DOSENGEHÄUSE / SHELL |
| 12 | ENDGEHÄUSE / ENDBELL |

Note: Due to an automatic nomenclature system, numbers generated may not be sequential.
 Specification and Dimensions subject to change
 Drawings illustrate normal insulator positioning

| Material Specification: | |
|-------------------------|---|
| Shell Material: | Aluminium alloy |
| Shell Plating: | Olive drab chromate over cadmium (conductive) |
| Insulator Material: | CR-Elastomere |
| Contact Material: | Copper alloy |
| Contact Plating: | Hard silver |

| | | |
|---|--|--|
| <p>Engineered for life ITT CANNON GmbH D-71284 Winsted, Germany</p> | <p>all dimensions are in mm Dimensions without tolerance indications are general tolerances in acc. with DIN7168m</p> | <p>drawing for CUSTOMER</p> |
| | <p>description CA3100E28-21PWB-F80-05 Box mounting receptacle (rear mount, through holes) Endbell with clamp and bushing AWG Crimp / Pin / Layout: 28-21</p> | |
| <p>© All rights reserved. Reproduction or issue in third in any form whatever is only permitted with written authorization of ITT Cannon</p> | <p>page 1/1</p> | <p>revision 786 4. Jul 16</p> |