



Excellent Integrated System Limited

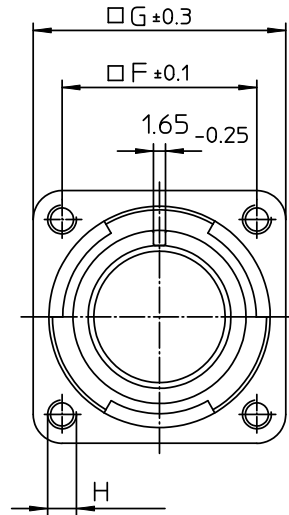
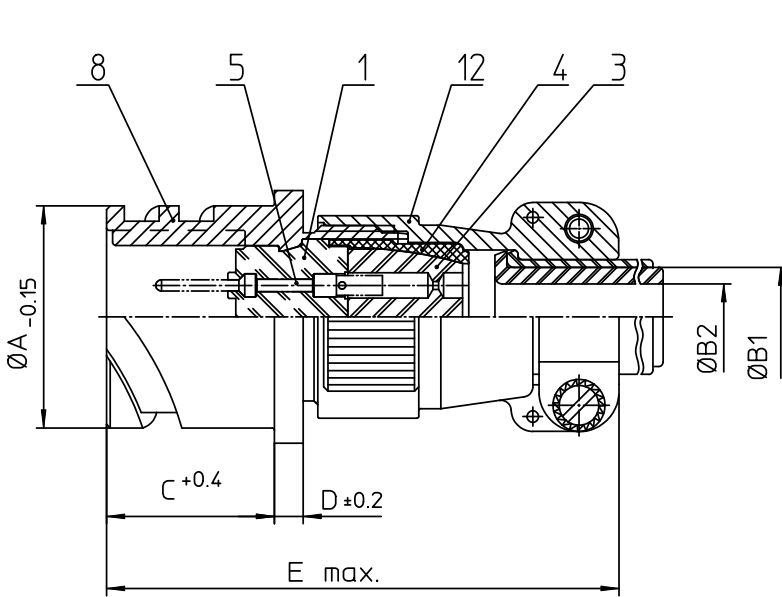
Stocking Distributor

Click to view price, real time Inventory, Delivery & Lifecycle Information:

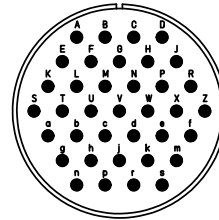
[ITT Cannon, LLC](#)
[CA3100E28-21PBA176](#)

For any questions, you can email us directly:

sales@integrated-circuit.com



NO.	MASSE / DIMENSION
A	46.7
B1	21.5
B2	16.6
C	24.05
D	4
E	78
F	39.7
G	50.8
H	M5



NO.	BESCHREIBUNG / DESCRIPTION
1	ISOLIERKÖRPER STIFT / INSULATOR PIN
3	DICHTKÖRPER / GROMMET
4	ENDRING / ENDRING
5	KONTAKTSTIFT/ CONTACT PIN
8	DOSENGEHÄUSE / SHELL
12	ENDGEHÄUSE / ENDBELL

Note: Due to an automatic nomenclature system, numbers generated may not be sequential.
 Specification and Dimensions subject to change
 Drawings illustrate normal insulator positioning

Material Specification:	
Shell Material:	Aluminium alloy
Shell Plating:	Olive drab chromate over cadmium (conductive)
Insulator Material:	CR-Elastomere
Contact Material:	Copper alloy
Contact Plating:	Gold 0,5 µm

all dimensions are in mm
 Dimensions without tolerance indications are general tolerances in acc. with DIN7168m
 drawing for CUSTOMER



description CA3100E28-21P-B-A176
 Wall mounting receptacle
 Endbell with clamp and bushing
 Solder Cup / Pin / Layout: 28-21

© All rights reserved. Reproduction or issue in third in any form
 whatever is only permitted with written authorization of ITT Cannon
 page 1/1 revision 786 4. Jul 16