



Excellent Integrated System Limited

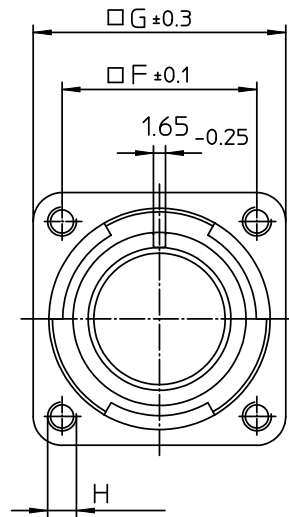
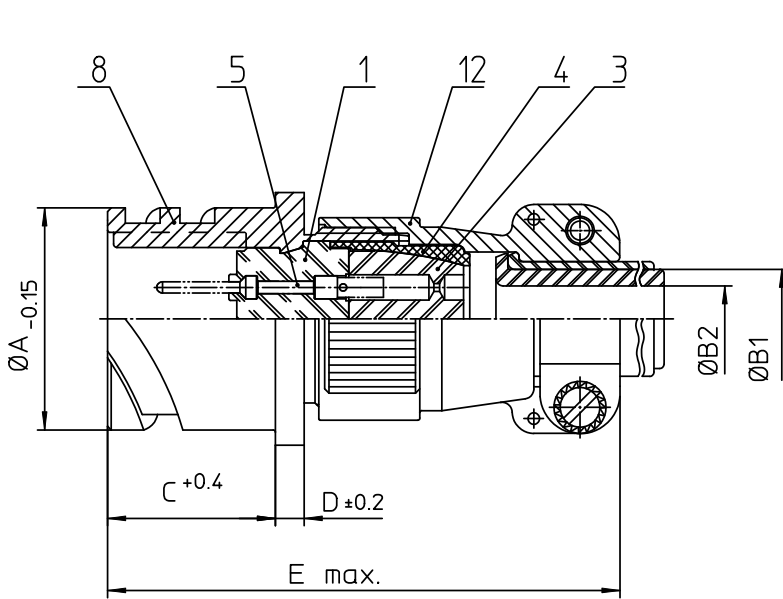
Stocking Distributor

Click to view price, real time Inventory, Delivery & Lifecycle Information:

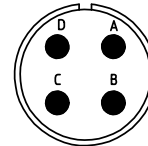
[ITT Cannon, LLC](#)
[CA3100E12SA10PB01](#)

For any questions, you can email us directly:

sales@integrated-circuit.com



NO.	MASSE / DIMENSION
A	21.4
B1	6.6
B2	-
C	18.2
D	3.2
E	57
F	20.6
G	28
H	M4



NO.	BESCHREIBUNG / DESCRIPTION
1	ISOLIERKÖRPER STIFT / INSULATOR PIN
3	DICHTKÖRPER / GROMMET
4	ENDRING / ENDRING
5	KONTAKTSTIFT/ CONTACT PIN
8	DOSENGEHÄUSE / SHELL
12	ENDGEHÄUSE / ENDBELL

Note: Due to an automatic nomenclature system, numbers generated may not be sequential.
Specification and Dimensions subject to change
Drawings illustrate normal insulator positioning

Material Specification:	
Shell Material:	Aluminium alloy
Shell Plating:	Olive drab chromate over cadmium (conductive)
Insulator Material:	CR-Elastomere
Contact Material:	Copper alloy
Contact Plating:	Hard silver

all dimensions are in mm		Dimensions without tolerance indications are general tolerances in acc. with DIN7168m	drawing for CUSTOMER
 ITT Engineered for life <small>ITT CANNON GmbH D-71284 Wimpfen, Germany</small>	description		CA3100E12SA10P-B-01
	Wall mounting receptacle		
Endbell with clamp and bushing			
Metric Crimp / Pin / Layout: 12SA10			
© All rights reserved. Reproduction or issue in third in any form whenever is only permitted with written authorization of ITT Cannon	page 1/1	revision 786 4. Jul 16	