



Excellent Integrated System Limited

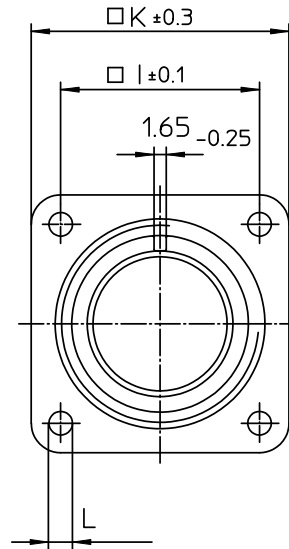
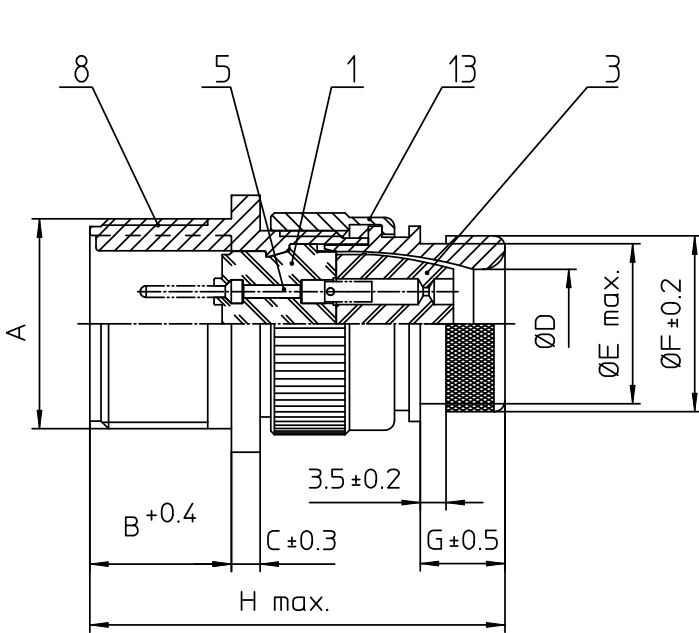
Stocking Distributor

Click to view price, real time Inventory, Delivery & Lifecycle Information:

[ITT Cannon, LLC](#)
[CA3100E32-7PF80DN](#)

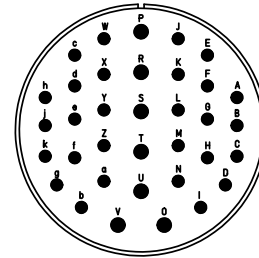
For any questions, you can email us directly:

sales@integrated-circuit.com




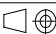
NO.	MASSE / DIMENSION
A	2-18NS-2A
B	22.2
C	4
D	33.3
E	43.6
F	47.8
G	15.2
H	67
I	44.5
K	57
L	4.4

NO.	BESCHREIBUNG / DESCRIPTION
1	ISOLIERKÖRPER STIFT / INSULATOR PIN
3	DICHTKÖRPER / GROMMET
5	KONTAKTSTIFT/ CONTACT PIN
8	DOSENGEHÄUSE / SHELL
13	ENDGEHÄUSE DN / ENDBELL HEATSHRINK



Note: Due to an automatic nomenclature system, numbers generated may not be sequential.
Specification and Dimensions subject to change
Drawings illustrate normal insulator positioning

Material Specification:	
Shell Material:	Aluminium alloy
Shell Plating:	Olive drab chromate coating over cadmium plating
Insulator Material:	Neoprene
Contact Material:	Copper alloy
Contact Plating:	Hard silver

all dimensions are in mm		drawing for	
Dimensions without tolerance indications are general tolerances in acc. with DIN7168m		CUSTOMER	
 ITT Engineered for life <small>ITT CANON GmbH D-73309 Winnenden/Germany</small>	description	CA3100E32-7P-F80-DN	
		Wall mounting receptacle	
		Endbell for heatshrink boots	
	AWG Crimp / Pin / Layout: 32-7		
<small>© All rights reserved. Reproduction or use in any form whatever is only permitted with written authorization of ITT Cannon</small>	page 1/1 	revision 377.3. Jul 16	