



## **Excellent Integrated System Limited**

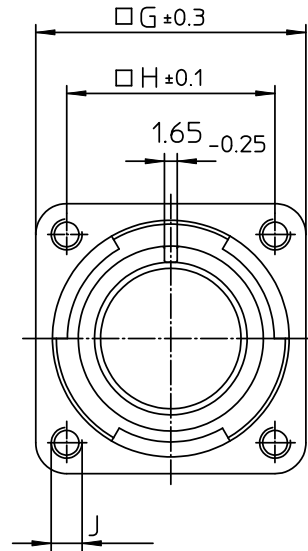
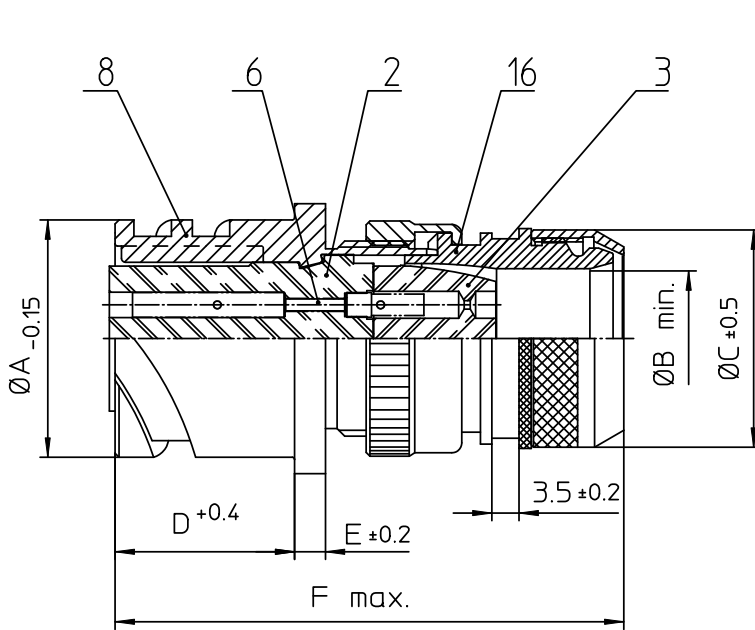
Stocking Distributor

Click to view price, real time Inventory, Delivery & Lifecycle Information:

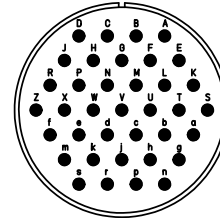
[ITT Cannon, LLC](#)  
[CA3100E28-21SXB15](#)

For any questions, you can email us directly:

[sales@integrated-circuit.com](mailto:sales@integrated-circuit.com)





| NO. | MASSE / DIMENSION |
|-----|-------------------|
| A   | 46.7              |
| B   | 27                |
| C   | 41                |
| D   | 24.05             |
| E   | 4                 |
| F   | 70                |
| G   | 50.8              |
| H   | 39.7              |
| J   | M5                |



| NO. | BESCHREIBUNG / DESCRIPTION              |
|-----|---|
| 2   | ISOLIERKÖRPER BUCHSE / INSULATOR SOCKET |
| 3   | DICHTKÖRPER / GROMMET                   |
| 6   | KONTAKTBUCHSE / CONTACT SOCKET          |
| 8   | DOSENGEHÄUSE / SHELL                    |
| 16  | ENDGEHÄUSE GESCHIRMT / ENDBELL SHIELDED |

|  |
|--|
| Note: Due to an automatic nomenclature system, numbers generated may not be sequential.            |
| Specification and Dimensions subject to change<br>Drawings illustrate normal insulator positioning |
| Material Specification:  |
| Shell Material: Aluminium alloy  |
| Shell Plating: Olive drab chromate over cadmium (conductive)                                       |
| Insulator Material: CR-Elastomere  |
| Contact Material: Copper alloy   |
| Contact Plating: Hard silver   |

|   |  |
|---|--|
| all dimensions are in mm<br>Dimensions without tolerance indications are general tolerances in acc. with DIN7168m   | drawing for<br>CUSTOMER  |
| <br><b>ITT</b><br>Engineered for life<br>ITT CANNON GmbH<br>D-71336 Winsted, Germany | description CA3100E28-21SXB-15<br>Wall mounting receptacle shielded<br>Shielded with endbell for shielded braids & heat shrinkable boots<br>AWG Crimp / Socket / Layout: 28-21 |
| © All rights reserved. Reproduction or issue in third in any form<br>whenever is only permitted with written authorization of ITT Cannon.                                 |  page 1/1<br>revision 786 4. Jul 16   |