

## Excellent Integrated System Limited

Stocking Distributor

Click to view price, real time Inventory, Delivery & Lifecycle Information:

[Phoenix Contact](#)  
[1671441](#)

For any questions, you can email us directly:  
[sales@integrated-circuit.com](mailto:sales@integrated-circuit.com)



Extract from the online catalog

## SAC-3P-M12Y/2X3,0-PUR/M 8FR-2L

Order No.: 1671441



<http://eshop.phoenixcontact.de/phoenix/treeViewClick.do?UID=1671441>

Sensor/Actuator cable, 3-position, PUR, halogen-free, Black-gray RAL 7021, Plug, straight M12, A-coded, on Socket, angled M8, with 2 LEDs and Socket, angled M8, A-coded, with 2 LEDs, Cable length: 3 m

Commercial data	
GTIN (EAN)	 4 017918 135270
sales group	D116
Pack	1 pcs.
Customs tariff	85444290
Catalog page information	Page 100 (PC-2009)

### Product notes

WEEE/RoHS-compliant since:  
07/02/2007



<http://www.download.phoenixcontact.com>  
Please note that the data given here has been taken from the online catalog. For comprehensive information and data, please refer to the user documentation. The General Terms and Conditions of Use apply to Internet downloads.

## Technical data

General data	
Rated current at 40°C	4 A
Rated voltage	24 V
Number of positions	3

SAC-3P-M12Y/2X3,0-PUR/M 8FR-2L Order No.: 1671441  
<http://eshop.phoenixcontact.de/phoenix/treeViewClick.do?UID=1671441>

Volume resistance	≤ 5 mΩ
Insulation resistance	≥ 100 MΩ
Length of cable	3 m
Ambient temperature (operation)	-25 °C ... 90 °C (Male connector / female connector)

**General characteristics**

Standards/regulations	M12 connector IEC 61076-2-101
Coding	A - standard
Surge voltage category	II
Pollution degree	3
Degree of protection	IP65/IP68/IP69K
Insertion/withdrawal cycles	≥ 100
Contact material	CuSn
Contact surface material	Ni/Au
Contact carrier material	TPU GF
Material of grip body	TPU, hardly inflammable, self-extinguishing
Material, knurls	Zinc die-cast, (nickel-plated)
Sealing material	NBR
Status display	2 LEDs

**Conductor data**

Cable type	PUR halogen-free black
Cable type (abbreviation)	PUR
Cable abbreviation	Li9Y11Y-HF
Conductor cross section	0.25 mm <sup>2</sup>
AWG signal line	24
Conductor structure signal line	32 x 0.10 mm
Core diameter including insulation	1.15 mm ±0.05 mm
Thickness, insulation	≥ 0.38 mm (Core insulation)
External cable diameter	4.40 mm
Wire colors	Brown, blue, black
External sheath, color	Black-gray RAL 7021
Insulation resistance	≥ 100 GΩ*km
Conductor resistance	≤ 77.6 Ω/km
Nominal voltage, conductor	300 V
Test voltage, conductor	4000 V

SAC-3P-M12Y/2X3,0-PUR/M 8FR-2L Order No.: 1671441  
<http://eshop.phoenixcontact.de/phoenix/treeViewClick.do?UID=1671441>

Overall twist	3 wires, twisted
Outer sheath, material	PUR
Material conductor insulation	PP
Conductor material	Bare Cu litz wires
Cable weight	23 kg/km
Smallest bending radius, movable installation	44 mm
Number of bending cycles	4000000
Bending radius	44 mm
Traversing path	10 m
Traversing rate	3 m/s
Acceleration	10 m/s <sup>2</sup>
Ambient temperature (operation)	-40 °C ... 80 °C (cable, fixed installation) -5 °C ... 80 °C (cable, flexible installation)
Special properties	Flexible cable conduit capable Silicone-free Free of substances which would hinder coating with paint or varnish
Flame resistance	in accordance with DIN UL-Style 20549
Halogen-free	in accordance with DIN VDE 0472 part 815
Resistance to oil	in accordance with DIN EN 60811-2-1
Other resistance	Highly resistant to acids, alkaline solutions and solvents hydrolysis and microbe resistant

**Certificates / Approvals**

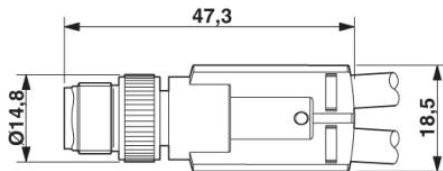


Certification CUL Listed, GOST, UL Listed

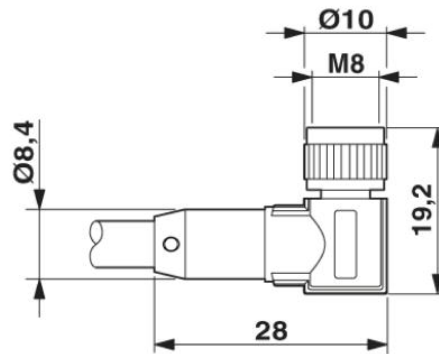
SAC-3P-M12Y/2X3,0-PUR/M 8FR-2L Order No.: 1671441  
<http://eshop.phoenixcontact.de/phoenix/treeViewClick.do?UID=1671441>

**Diagrams/Drawings**

Dimensioned drawing

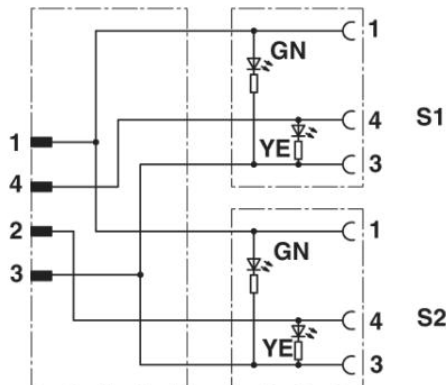


Plug M12 x 1, Y distributor



Socket M8 x 1, angled

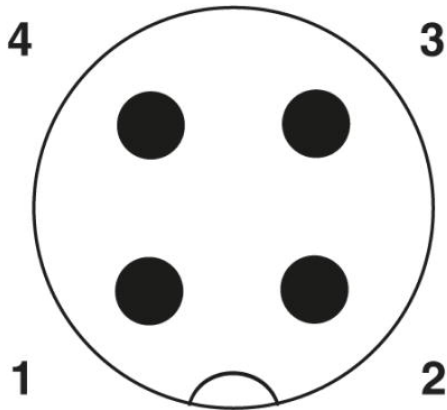
Circuit diagram



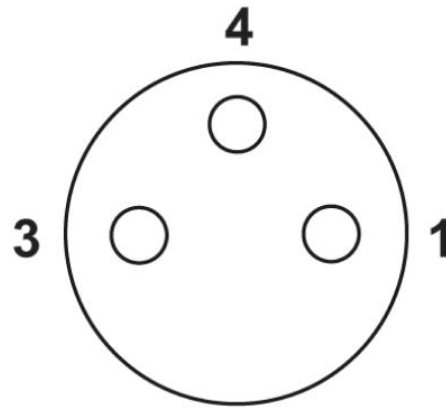
Contact assignment of M12 plugs / M8 sockets

SAC-3P-M12Y/2X3,0-PUR/M 8FR-2L Order No.: 1671441  
<http://eshop.phoenixcontact.de/phoenix/treeViewClick.do?UID=1671441>

Schematic diagram



Pin assignment M12 Y plug, 4-pos., A-coded, view plug side



Pin assignment M8 socket, 3-pos., view female side

SAC-3P-M12Y/2X3,0-PUR/M 8FR-2L Order No.: 1671441  
<http://eshop.phoenixcontact.de/phoenix/treeViewClick.do?UID=1671441>

---

#### Address

PHOENIX CONTACT Deutschland GmbH  
Flachsmarktstr. 8  
32825 Blomberg, Germany  
Phone +49 5235 3 12000  
Fax +49 5235 3 41200  
<http://www.phoenixcontact.de>



© 2011 Phoenix Contact  
Technical modifications reserved;