

Excellent Integrated System Limited

Stocking Distributor

Click to view price, real time Inventory, Delivery & Lifecycle Information:

[Crouzet USA](#)
[80181012](#)

For any questions, you can email us directly:

sales@integrated-circuit.com



80 and 100 W - 10 Nm - Right-angle gearbox 801810 TNi20 - 0/10 V Part number Contact us



With or without integrated control electronics

- Output perpendicular to motor
- Ideal for short reduction ratios
- Ideal for very compact applications
- Silent operation
- Non-reversible movement at high ratios

Part numbers

| Type | With built-in electronic control | Without built-in control, with Hall effect sensors | Ratios (i) | Output speed (rpm) 24 V DC | Available torque (Nm) |
|----------|----------------------------------|--|------------|----------------------------|-----------------------|
| 80181012 | 801810 TNi20 - 0/10 V TNi20 | - | 20 | 163 | 2,9 |

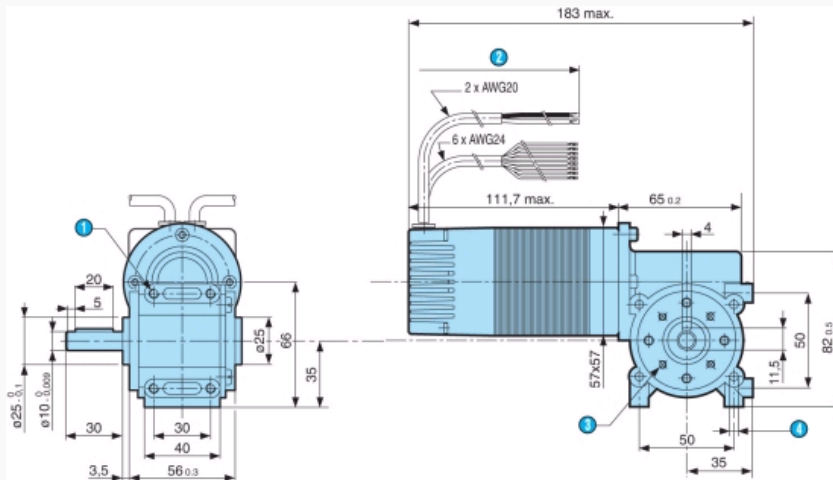
Specifications

General characteristics

| | |
|-------------------------------------|--------|
| Motor | 801800 |
| Nominal motor power at 24 V (W) | 80 |
| Speed control | 0-10 V |
| Axial load dynamic (N) | 100 |
| Radial load dynamic (N) | 150 |
| Temperature rise at 50 % cycle (°C) | 45 |
| Weight (g) | 1920 |
| Protection index | IP54 |

Dimensions (mm)

801810 with built-in TNi20



| N° | Legend |
|----|-----------------------------|
| 1 | 4 x M5 over depth 8 mm |
| 2 | Length of cable 500 ± 5 mm |
| 3 | 4 x M4 over Ø 36 depth 8 mm |
| 4 | 4 x M5 depth 8 mm |

Precautions for use

The limits and precautions for use described in the 80 W brushless motor section must be observed. Continuous use may cause the gearbox to overheat. This geared motor is recommended for applications in which the operating time does not exceed 50 % of the total time. For longer times, please consult us.

Product adaptations



- 2-quadrant speed regulation
- With built-in electronic card TNi20
- No lead output but connector in motor
- Dimensions of gearbox shaft
- Cable length, with or without connector
- Other reduction ratios
- Other windings
- Mechanical holding brake