

## Excellent Integrated System Limited

Stocking Distributor

Click to view price, real time Inventory, Delivery & Lifecycle Information:

[Crouzet USA](#)  
[82520014](#)

For any questions, you can email us directly:  
[sales@integrated-circuit.com](mailto:sales@integrated-circuit.com)



**Starting/running torque from 30 and 37.5 mN.m 3.5 Watts Part number 82520014**



- Constant speed, dependent on supply frequency
- Direction of rotation controlled by dephasing capacitor
- Sintered bearing lubricated for life
- Silent operation
- UL, CSA (classe B) - VDE approved

**Part numbers**

	Type	Type	Voltages/Frequencies
82 520 014	3.5 Watts	82 520 0	230-240 V 50 Hz

**Specifications**

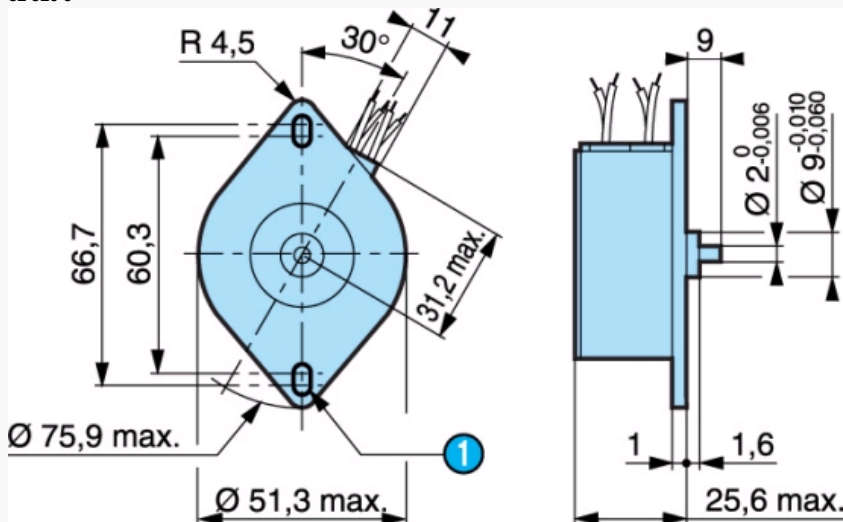
Base speed of motor (rpm)	250
Absorbed power (W)	3,5
Usable Power (W)	0,98
Starting/running torque (mNm)	37,5
Stall torque (mNm)	42
Temperature rise (° C)	55
Ambient temperature (°C)	-10+75
Maximum inertial load that can be moved (g.cm <sup>2</sup> )	33
Number of offload starts	
Insulation resistance (MΩ)	75x10 <sup>3</sup>
Breakdown voltage (V-50 Hz)	1800 -1 sec.
Weight (g)	210
Wires length mm (approximately)	250
Protection rating	IP40

**Accessories**

Voltages/Frequencies	µF	V AC	Code
Capacitors motor 82 520 0	Condensateur		
230-240 V - 50 Hz	0,1 ± 10 %	500	26 231 941
115 V 60 Hz	0,33 ± 10 %	240	26 231 801
24 V - 50 Hz	8,2 ± 10 %	63	26 231 711

**Dimensions (mm)**

82 520 0

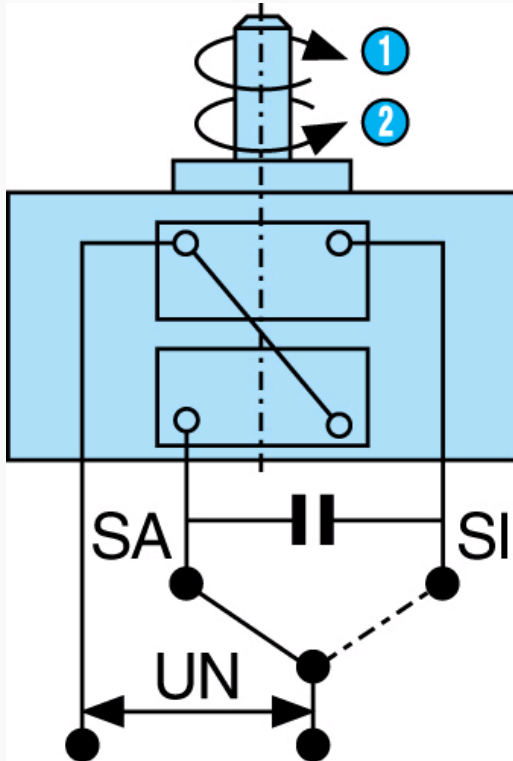


N°	Legend
①	2 oblong fixing holes 3.5 wide

**Connections**

In parallel

Motors 82 520 0 - 82 520 4



N°	Legend
①	SA : Clockwise
②	SI : Anti-clockwise

**Product adaptations**



- Different voltages available
- Pinion on output shaft
- Special output shafts
- Special supply voltages
- Special cable lengths
- Special output bearings
- Special mounting plate
- Special connectors