

Excellent Integrated System Limited

Stocking Distributor

Click to view price, real time Inventory, Delivery & Lifecycle Information:

[Crouzet USA](#)
[82740001](#)

For any questions, you can email us directly:
sales@integrated-circuit.com



Ø 36 mm 16 Watts 16 W Part number 82740001



- Long service life
- With varistor EMC filtering
- Optional class B interference suppression
- Optional encoder with class B interference suppression

Part numbers

	Type	Type	Voltage	References
82740001	16 W	827400	12 V	Without option

Specifications

No-load characteristics

Speed of rotation (rpm)	3900
Absorbed power (W)	1,9
Absorbed current (A)	0,16

Nominal characteristics

Speed (rpm)	3000
Torque (mNm)	35
Usable power (W)	11
Absorbed power (W)	16,8
Absorbed current (A)	1,4
Gearbox case temperature rise (°C)	27
Efficiency (%)	65

General characteristics

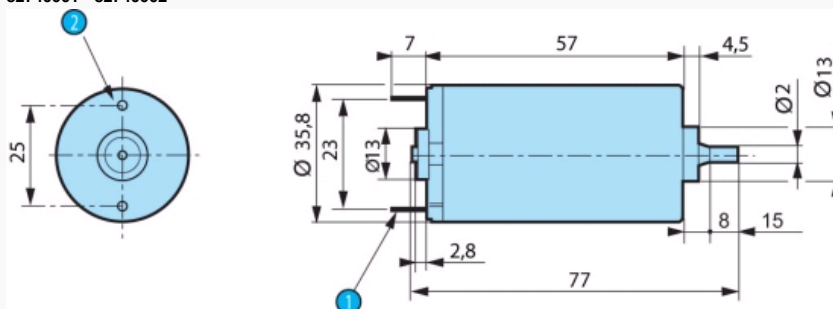
Coil wire insulation class	H
Protection rating	IP 20
Max. output power (W)	15,8
Start torque (mNm)	155
Starting current (A)	5,5
Resistance (Ω)	2
Inductance (mH)	2
Torque constant (Nm/A)	0,029
Electrical time constant (ms)	0,9
Mechanical time constant (ms)	12,2
Thermal time constant (mn)	6,5
Inertia (g.cm ²)	45
Weight (g)	200
Number of segments	5
Service life (h)	3000
Sintered bronze bearings	■

Made to order products, available on request

- 1, 5 or 12 pulse encoder
- Characteristics as per specification

Dimensions (mm)

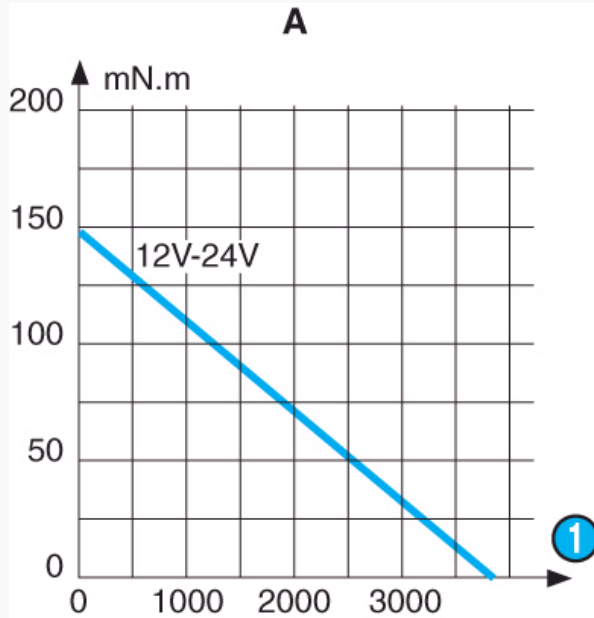
82740001 - 82740002



N°	Legend
①	2 solder tags 4.75 x 0.5 mm
②	2 holes M3 : screw depth max. 3 mm

Curves

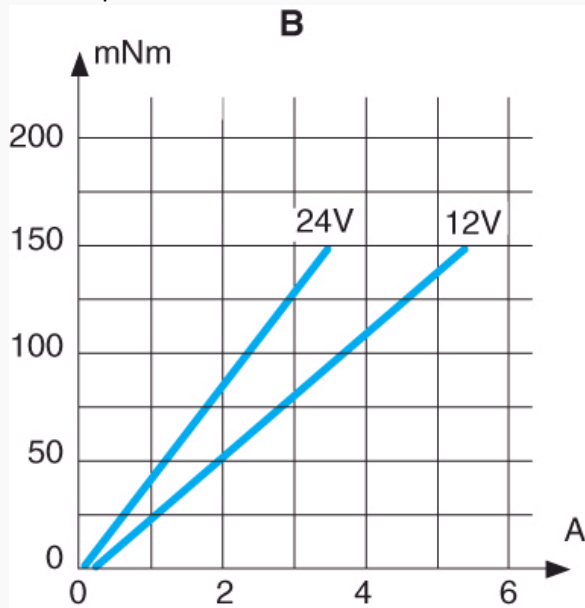
Curve : torque/speed 827400



N°	Legend
①	rpm

Curves

Curve : torque/current 827400



Product adaptations



- Encoder with different number of pulses per revolution
- Push-fit pinion
- Additional connectors