

Excellent Integrated System Limited

Stocking Distributor

Click to view price, real time Inventory, Delivery & Lifecycle Information:

[Crouzet USA](#)
[82800036](#)

For any questions, you can email us directly:
sales@integrated-circuit.com



Ø 42 mm 10 and 17 Watts 17 W Part number 82800036



- Usable power : 9 to 16 W
- For low-speed drive applications
- Sintered bronze bearings lubricated for life
- Power supply by 4.75 mm tags
- Interchangeable brushes
- Optional one-channel encoder

Part numbers

	Type	Type	Voltage	References
82800036	17 W	828000	12 V	Without encoder

Specifications

No-load characteristics

Speed of rotation (rpm)	2960
Absorbed power (W)	4,8
Absorbed current (A)	0,4

Nominal characteristics

Speed (rpm)	2000
Torque (mNm)	75
Usable power (W)	15,7
Absorbed power (W)	30
Absorbed current (A)	2,5
Gearbox case temperature rise (°C)	44
Efficiency (%)	52

General characteristics

Insulation class (conforming to IEC 85)	F (155 °C)
Protection (IEC/EN 60529)	IP20
Max. output power (W)	16,3
Start torque (mNm)	185
Starting current (A)	5,8
Resistance (Ω)	2
Inductance (mH)	1,8
Torque constant (Nm/A)	0,0342
Electrical time constant (ms)	0,89
Mechanical time constant (ms)	18
Thermal time constant (mn)	12
Inertia (g.cm ²)	105
Weight (g)	400
Number of segments	8
Service life (h)	3000
Sintered bronze bearings	■
Replaceable brushes	■

Encoder characteristics

Output current (mA)	< 25 (25 °C)
Supply (V)	4,5 →30 DC
Ambient temperature (°C)	-40 →85 °C

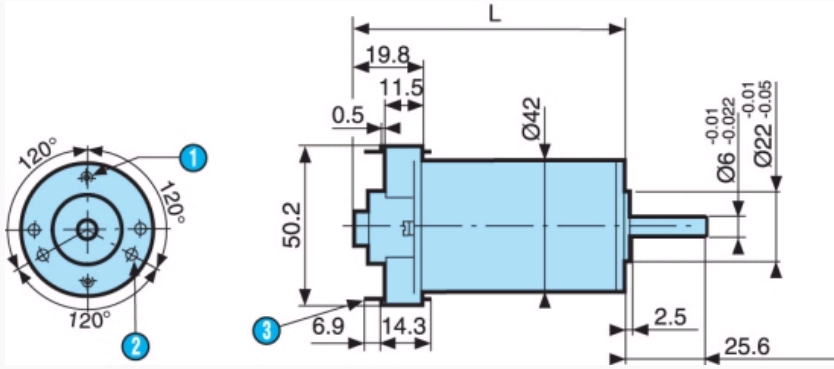
Made to order products, available on request

■ **Special interference suppression**

- Other supply voltages
- Motor with 1 ball bearing at front (essential for vertical motor)
- Shaft lengths at front and/or rear
- 5 pulses/revolution magnetic encoder
- Reversible magnetic encoder (1 or 5 pulses/revolution)
- Other fixing flanges on front

Dimensions (mm)

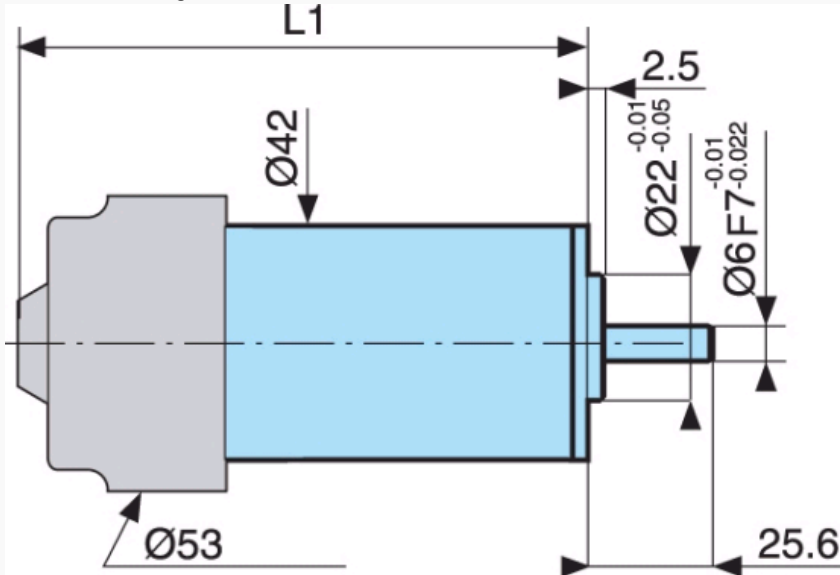
828000 - 828100



N°	Legend
1	2 x M3 at 180°, depth 5 mm over $\varnothing 32$
2	2 holes $\varnothing 2.75 \pm 0.05$ at 120° depth 5 mm $\varnothing 32$
3	2 tags IEC 760, series 4.8 x 0.5
	L : 828000 : 84.8 mm max.
	L : 828100 : 69.8 mm max.

Dimensions (mm)

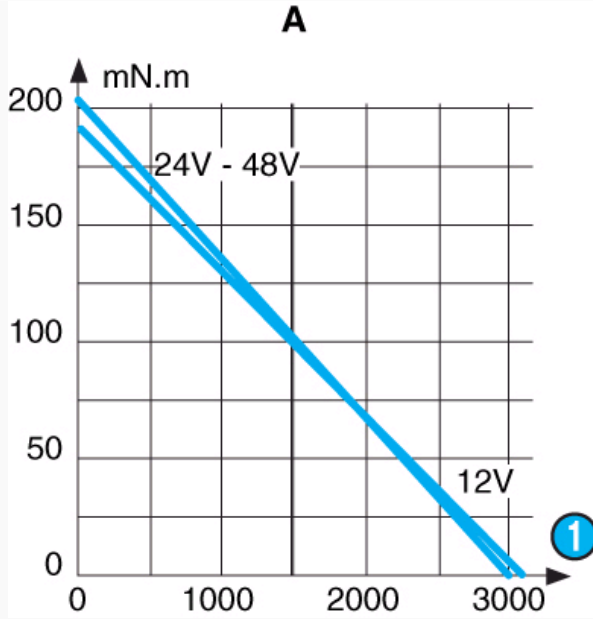
Dimensions with magnetic encoder



N°	Legend
	L1 : 828000 : 99.1 mm max.
	L1 : 828100 : 84.1 mm max.

Curves

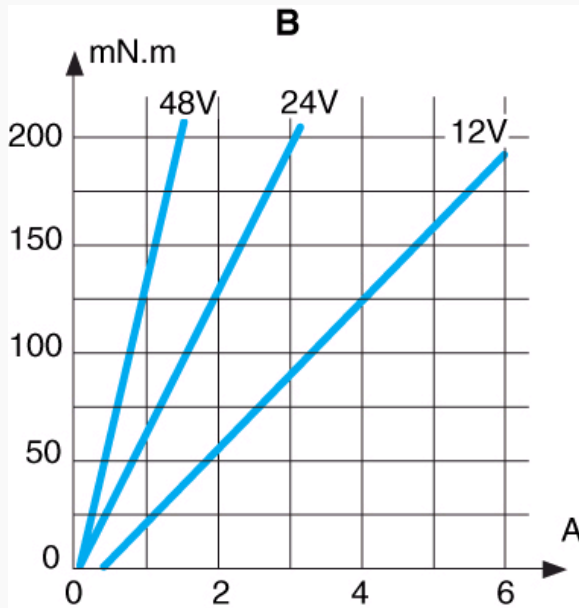
828000



N°	Legend
1	rpm
	Torque/speed curve

Curves

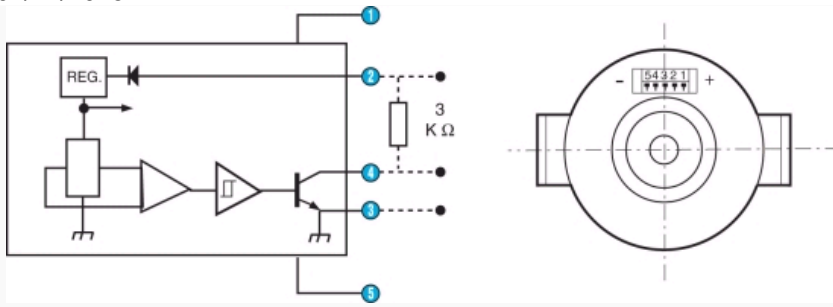
828000



N°	Legend
	Torque/current curve

Connections

Encoder and connector : STOCKO MKS 3735-6-0-505



Part number of female connector to be used : STOCKO MKF 17-230 / 260 / 330 / 360

N°	Legend
①	Motor power supply
②	+5 → +24 V DC (encoder power supply)
③	0 V DC (encoder power supply)
④	Encoder signal output
⑤	Motor power supply

Product adaptations



- Special output shaft
- Pinion on output shaft
- Special supply voltage
- Special ball bearings
- Special mounting plate
- Special connections
- Encoder : 5, 200, 500 or 1000 pulses/revolution