

## Excellent Integrated System Limited

Stocking Distributor

Click to view price, real time Inventory, Delivery & Lifecycle Information:

[Crouzet USA](#)  
[82830009](#)

For any questions, you can email us directly:  
[sales@integrated-circuit.com](mailto:sales@integrated-circuit.com)



**Ø 63 mm 33 and 67 Watts 33 W Part number 82830009**



- Long service life
- Usable power : 27 to 50 W
- For low-speed, high-power drive applications
- With 2 ball bearings
- Power supply via 2 output leads

**Part numbers**

	Type	Type	Voltage	References
82830009	33 W	828300	12 V	Without encoder

**Specifications**

**No-load characteristics**

Speed of rotation (rpm)	2100
Absorbed power (W)	4,8
Absorbed current (A)	0,4

**Nominal characteristics**

Speed (rpm)	1500
Torque (mNm)	172
Usable power (W)	27
Absorbed power (W)	43
Absorbed current (A)	3,6
Gearbox case temperature rise (°C)	50
Efficiency (%)	62

**General characteristics**

Insulation class (conforming to IEC 85)	F (155 °C)
Protection (IEC/EN 60529)	IP20
Max. output power (W)	33
Start torque (mNm)	600
Starting current (A)	12
Resistance (Ω)	1
Inductance (mH)	1,4
Torque constant (Nm/A)	0,0517
Electrical time constant (ms)	1,4
Mechanical time constant (ms)	19
Thermal time constant (mn)	37
Inertia (g.cm <sup>2</sup> )	514
Weight (g)	840
Number of segments	12
Service life (h)	5000
Ball bearings	•
Wires length (mm)	200

**Encoder characteristics**

Current consumption (mA)	0,15 →15
Output current (mA)	< 20 (25 °C)
Supply (V)	4,5 →35 DC
Ambient temperature (°C)	-25 →+85

**Accessories**

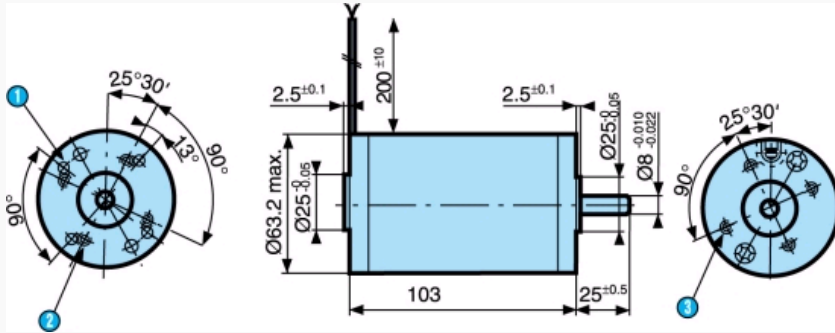
Connection	Code
Pre-assembled female connector, casing 179228-3, tags 179227-1 and leads AWG24 250 mm	79209895

**Made to order products, available on request**

- Other supply voltages
- Shaft lengths at front and/or rear
- Built-in interference suppression
- Encoders
- Other fixing flanges on front and rear
- Short version possible (L = 90 mm)

**Dimensions (mm)**

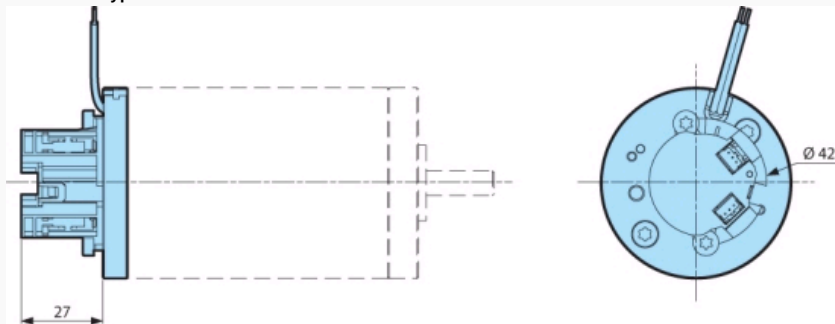
828300 - 828305 without encoder



N°	Legend
①	4 holes $\varnothing 3.65 \pm 0.05$ at $90^\circ$ over $\varnothing 48$
②	4 holes M5 over $\varnothing 40$ mm depth 7 mm
③	4 holes M5 over $\varnothing 40$ mm depth 7 mm

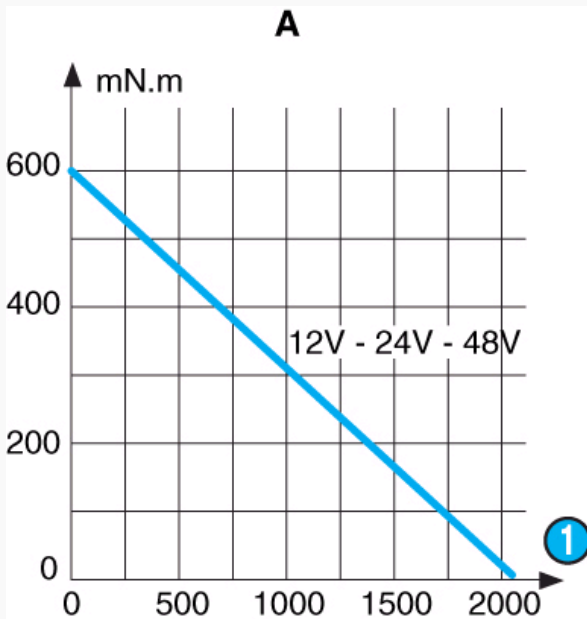
**Dimensions (mm)**

Encoder on types 828300 - 828305



**Curves**

828300

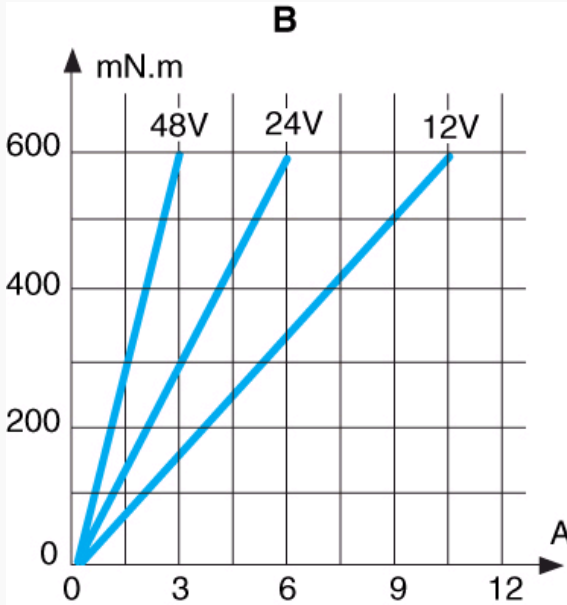


N°	Legend
①	rpm

✖	Torque/speed curve
---	--------------------

**Curves**

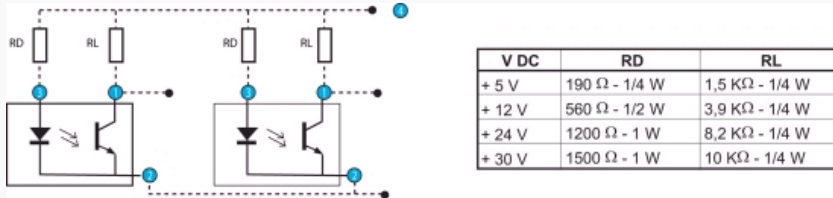
828300



✖	Legend
✖	Torque/current curve

**Connections**

**Encoder**



①	Signal output
②	0 V DC (encoder power ground supply)
③	Emitting diode
④	Power supply V DC

**Product adaptations**

- Special output shaft
- Pinion on output shaft
- Special supply voltage
- Special cable length
- Special ball bearings
- Optical or Hall effect encoder - 1 or 2 channels - other resolutions
- Special mounting plate
- Special connectors
- EMC filter