

## Excellent Integrated System Limited

Stocking Distributor

Click to view price, real time Inventory, Delivery & Lifecycle Information:

[Crouzet](#)  
[83137004](#)

For any questions, you can email us directly:

[sales@integrated-circuit.com](mailto:sales@integrated-circuit.com)



**831370 With standard rotary action 831370 Part number 83137004**



- Action with a wire
- Very low operating force
- Long mechanical life

**Part numbers**

Type	Function	Connections
83137004 With standard rotary action 831370	I (changeover)	W3

**Specifications**

**Electrical characteristics**

Rating nominal / 250 VAC (A)	5
Rating thermal / 250 VAC (A)	14

**Mechanical characteristics**

maximum operating force N cm	0.12
Minimum release torque N cm	0.03
Overtravel torque N cm	0.5
Pre-travel- maximum (°)	26
Maximum differential travel (°)	14
Min. overtravel (°)	12
Ambient operating temperature (°C)	-20 → +125
Mechanical life (operations)	10 <sup>7</sup>
Contact gap (mm)	0,8
Weight (g)	7,2

**Additional specifications**

**Components**

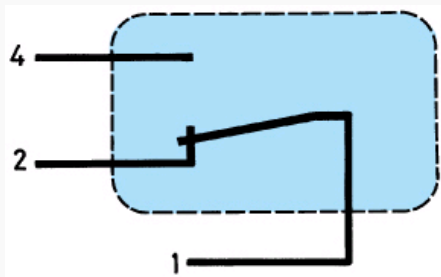
**Material**

- Case : polyamide.
- Contacts : silver.

**Lever**

- Stainless steel wire.

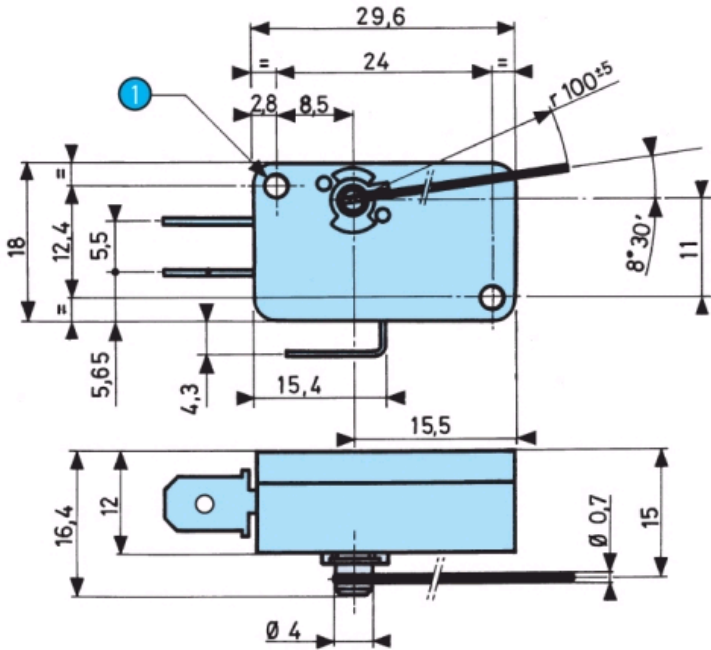
**Principles**



**Dimensions (mm)**

**Product**

831370

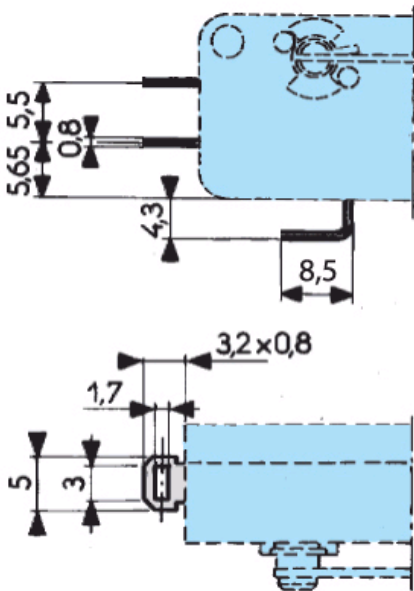


N°	Legend
①	2 holes Ø 3.2

**Dimensions (mm)**

**Connections**

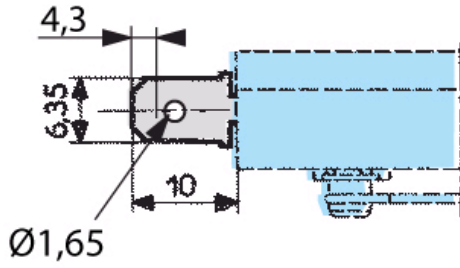
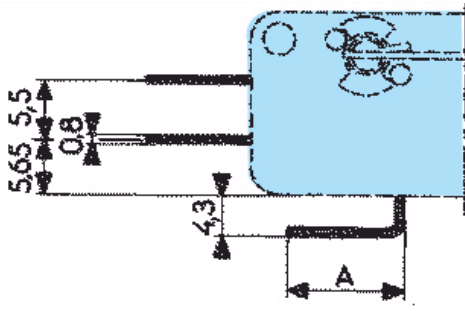
**W2 solder**



**Dimensions (mm)**

**Connections**

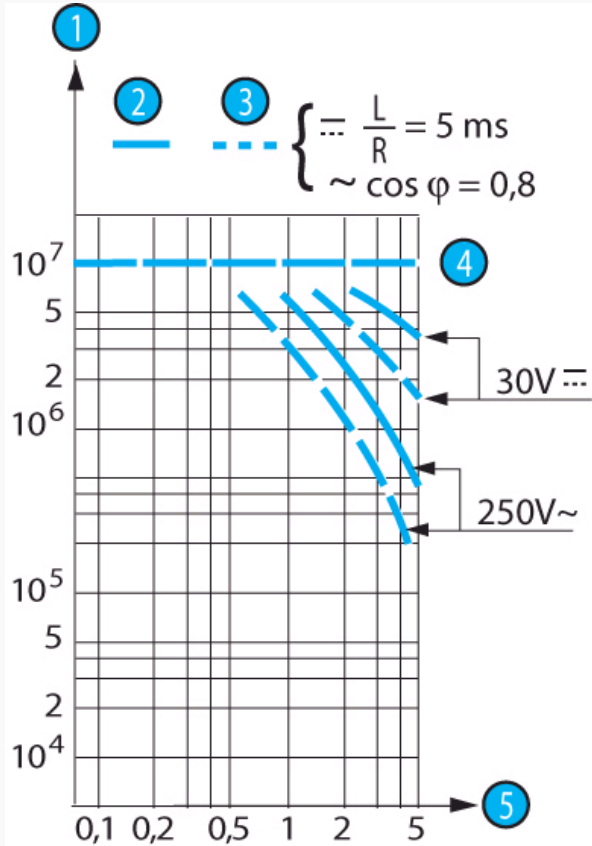
**W3 for 6.35 mm clips**



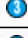
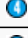

A = 11.3

**Curves**

Operating curve for type 831370



N°	Legend
1	Number of cycles
2	Resistive circuit

	Inductive circuit
	Mechanical life limit
	Current in Amps

#### Other information

##### Mounting - Operation

See basic technical concepts

#### Product adaptations



- Special levers
- UL approval