

Excellent Integrated System Limited

Stocking Distributor

Click to view price, real time Inventory, Delivery & Lifecycle Information:

[Crouzet](#)
[83870101](#)

For any questions, you can email us directly:

sales@integrated-circuit.com



83870 with cable output Metal plunger Part number 83870101



- IP 66/67
- Metal case
- cUL approval

Part numbers

| Type | Characteristics | Type of output |
|---------------------------------|-----------------|------------------|
| 83 870 101 Metal plunger | Standard | Cable length 1 m |

Specifications

| | |
|--|--|
| Conformity to standards | IEC / EN 60947.5.1 Dimensional conformity : NFC 63145 Low voltage directive : 73/23/EEC and 93/68/EEC Electric shock protection : NFC 20030 ou IEC 60536 class 1, degree of pollution 3 |
| Protection against electric shocks | |
| Degree of protection IEC 60529 | |
| Degree of protection according to NEMA 250 | Type 1, 3, 4, 6, 13 |

Electrical characteristics

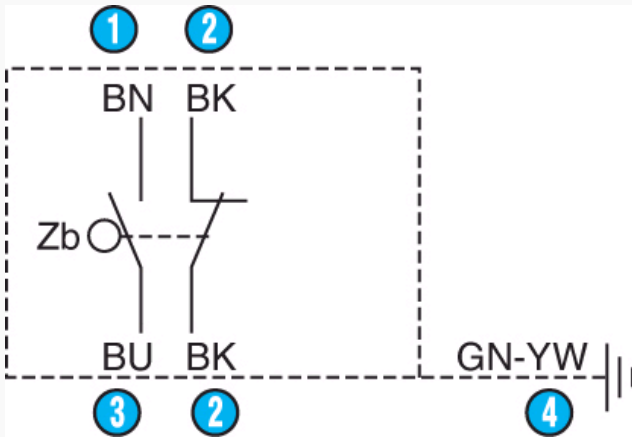
| | |
|--|---|
| Connection | |
| Operating temperature (°C) | -25 → +70 °C |
| Assigned impulse voltage (Uimp) - V | 2500 |
| Assigned insulation voltage Ui (V) | 500 |
| Thermal current I (A) | 10 |
| Low-load switching - Minimum voltage (V) | 10 |
| Low-load switching - Minimum current (mA) | 100 |
| Assigned working characteristics (EN 60 947.5.1, UL 508) | A300 = AC15 240 V 3 A / 120 V 6 A Alternating current Q150 = DC13 125 V 0.55 A Direct current |
| Electrical life according to IEC 947-5-1 appendix C | 250 V 3 A AC15 500,000 operations 24 V 8 W DC13 500,000 operations |
| Electrical protection | Integral protective earth conductor Short-circuit protection device : IEC/EN 60947-5-1 Fuse 6 AgG |
| Approvals | UL 508, UL 50 |

Mechanical characteristics

| | |
|--|--------------------|
| Sequence Snap action | |
| Minimum operating force (N) | 10 |
| Minimum operating force (Nm) | - |
| Minimum total travel force (N) | 30 |
| Minimum total travel force (Nm) | - |
| Min. positive opening travel (N) | 28 |
| Min. positive opening travel (Nm) | - |
| Mechanical life (millions of operations) | 10 |
| Vertical approach speed | 1 mm/min → 0,5 m/s |
| Horizontal approach speed (30° cam) | - |

Weight (g) 170

Principles



Function

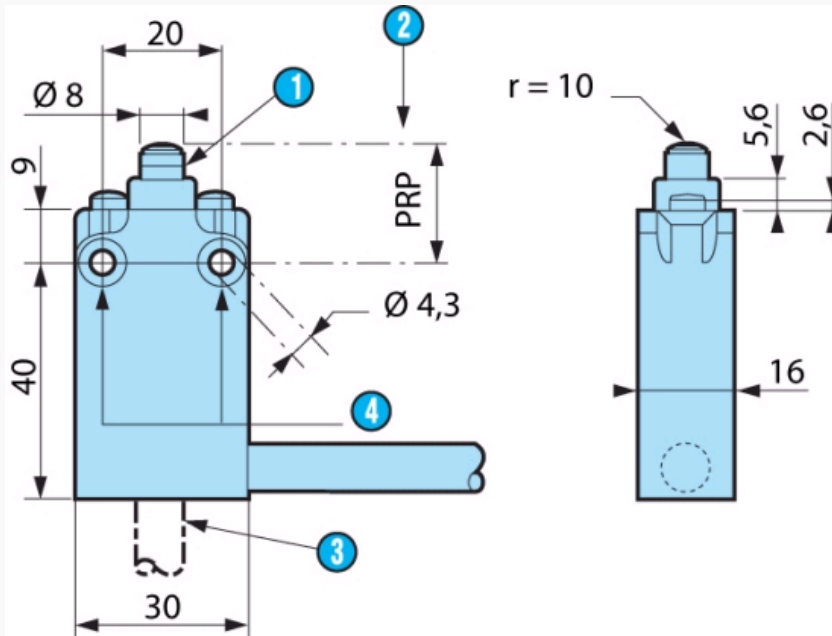
Four-terminal double break two-way contact element (form Zb) with positive opening NC contacts. The 2 moving contacts are electrically isolated from one another.

| N° | Legend |
|----|--------------|
| 1 | Brown |
| 2 | Black |
| 3 | Blue |
| 4 | Green-yellow |

Dimensions (mm)

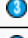

Product

83 870 1



83 870 0

| N° | Legend |
|----|----------------------|
| 1 | POP marking |
| 2 | See sequence diagram |

| | |
|--|----------------------------|
|  | Rear output on request |
|  | Ø 8 x 4.3 - 4 counterbores |

Other information

For other accessories and special contacts, or special modes of operation : please consult us.

Product adaptations



- Contact type
- Rear output
- Protective scraper seal
- Length of cable/connector/stripping
- Special marking