

Excellent Integrated System Limited

Stocking Distributor

Click to view price, real time Inventory, Delivery & Lifecycle Information:

[Crouzet](#)
[83871140](#)

For any questions, you can email us directly:
sales@integrated-circuit.com



83870 with connector output Metal roller plunger Part number 83871140



- IP 66/67
- Metal case
- cUL approval

Part numbers

Part number	Type	Characteristics	Type of output
83871140	Metal roller plunger	4-pin	Connector

Specifications

Conformity to standards	
Protection against electric shocks	
Degree of protection IEC 60529	
Degree of protection according to NEMA 250	

Electrical characteristics

Connection	
Operating temperature (°C)	-25 → +70 °C
Assigned impulse voltage (Uimp) - V	2500 (5-pin : 1500)
Assigned insulation voltage Ui (V)	250 (5-pin : 60)
Thermal current I (A)	4
Low-load switching - Minimum voltage (V)	10
Low-load switching - Minimum current (mA)	100
Assigned working characteristics (EN 60 947.5.1, UL 508)	C 300/le = 4 A max/Ue = 250 V max (5-pin : le = 4 A max - Ue = 48 V max) Q 150
Electrical life according to IEC 947-5-1 appendix C	250 V 2.5 A AC15 500,000 operations 24 V 8 W DC13 500,000 operations
Electrical protection	Integral protective earth conductor Short-circuit protection device : IEC/EN 60947.5.1 Fuse 2 A gC
Approvals	UL 508 (4 pins C300 - Q 150), (5 pins 48 VAC/DC 4 A)

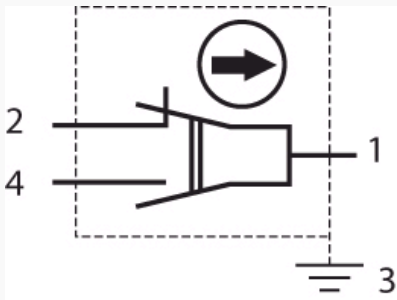
Mechanical characteristics

Sequence Snap action	
Minimum operating force (N)	10
Minimum total travel force (N)	30
Min. positive opening travel (N)	28
Mechanical life (millions of operations)	10
Vertical approach speed	1 mm/min → 0,5 m/s
Horizontal approach speed (30° cam)	1 mm/min → 0,3 m/s
Weight (g)	100

Comments

4-pin : 1-2 / 1-4
 5-pin : (1-2) / (3-4)

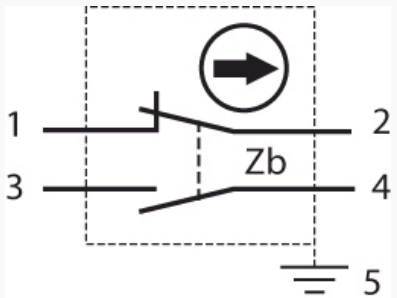
Principles



Function

Four-terminal double break two-way contact element (form Zb) with positive opening NC contacts. The 2 moving contacts are electrically isolated from one another (5-pin version).

Principles



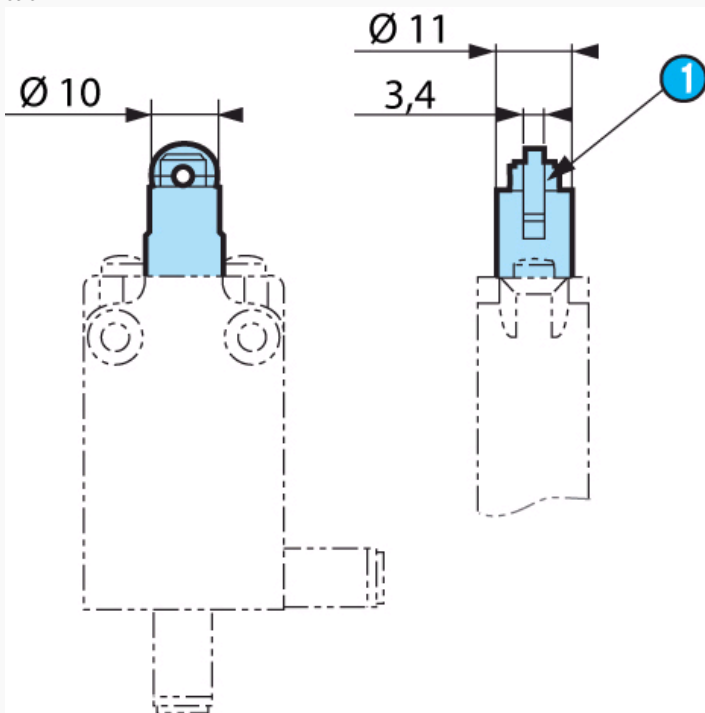
Function

Four-terminal double break two-way contact element (form Zb) with positive opening NC contacts. The 2 moving contacts are electrically isolated from one another (5-pin version).

Dimensions (mm)

Product

83 871 1

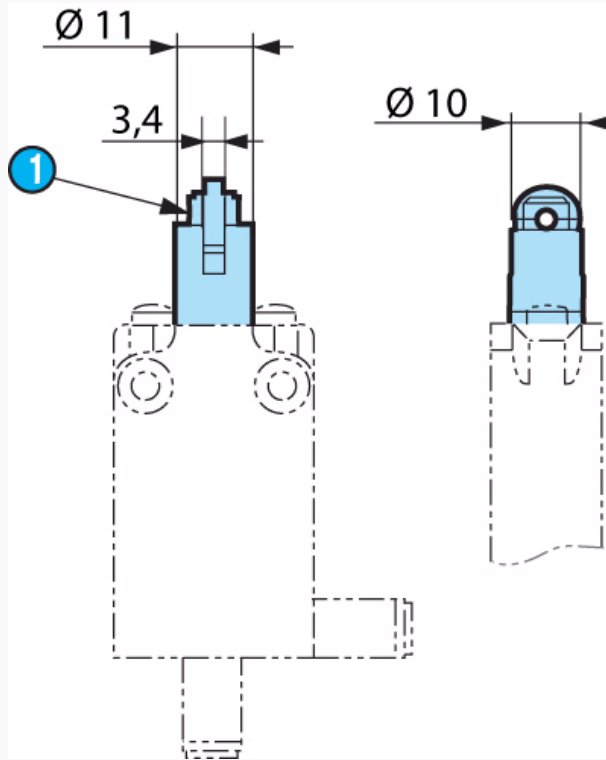


N°	Legend
①	POP marking

Dimensions (mm)

Product

83 875 1



N°	Legend
①	POP marking

Other information

For other accessories and special contacts, or special modes of operation : please consult us.

Product adaptations



- Contact type
- Rear output
- Protective scraper seal
- Cable length