

Excellent Integrated System Limited

Stocking Distributor

Click to view price, real time Inventory, Delivery & Lifecycle Information:

[Crouzet](#)
[83893130](#)

For any questions, you can email us directly:
sales@integrated-circuit.com



838931 plastic safety interlock switch, no locking 838931 3-pole Part number Contact us



- Key-operated safety interlock switches for monitoring moving guards
- Plastic bodies and heads
- Heads have 4 possible positions
- Positive opening contacts

Part numbers

	Type	Type of contacts	Action
83 893 130	838931 3-pole	NC+NC+NO (NO break before make)	Slow action

Specifications

Environment


Conforming to standards Products	IEC 947-5-1, EN 60 947-5-1, UL 508, CSA C22-2 no. 14, JIS C4520 (Cf P. 3/14)
Conforming to standards Machine assemblies	IEC 204-1, EN 60 204-1, EN 1088, EN 292
Certifications	UL, CSA
Protective treatment in normal operation	"TC"
Temperature Use (°C)	-25 →+70
Storage temperature (°C)	-40 →+70
Vibration resistance acc. to IEC/EN 60068-2-6	5 gn (10...500 Hz)
Schok resistance according to IEC 28-2-27	10 gn (duration 11 ms)
Degree of protection according to IEC 529 and IEC 947-5-1	IP 67
Cable entry according to NFC 68 300	One entry per cable gland 11

Electrical characteristics

Assigned working characteristics	AC 15 B300 Ue = 240 V, Ie = 3 A or Ue = 120 V, Ie = 6 A, DC 13 Q300 Ue = 250 V, Ie = 0.27 A or Ue = 125 V, Ie = 0.55 A
Assigned insulation voltage according to IEC 947-5-1	Ui = 500 V
Assigned insulation voltage according to UL 508, CSA C22-2 no.14	Ui = 300 V
Assigned impulse voltage according to IEC 947-5-1	Uimp = 6 KV
Thermal rating according to IEC 947-5-1	Ithe = 10 A
Electric shock protection Class 2 according to IEC 536	■
Resistance between terminals according to IEC 954-5-4	≤ 30 mΩ
Protection against short circuits	Cartridge fuse 10 A gG (gl)
Connection Screw clamp terminals	■
Clamping capacity with or without ferrule	min. 1 x 0,5 mm ² , max. 1,5 mm ²
Electrical life according to IEC 947-5-1 appendix C	■

Minimum actuation speed	0,5 m/s
Maximum actuation speed	0,01 m/s
Resistance to removal of key	10 N
Mechanical life (operating cycles)	10 ⁶
Minimum operating frequency (operating cycles per hour)	600
Minimum positive opening force	15 N
Cable entry according to NFC 68 300	2 PG 11
Thermal current I (A)	10
Assigned insulation voltage Ui (V)	500
Weight (g)	160

Accessories

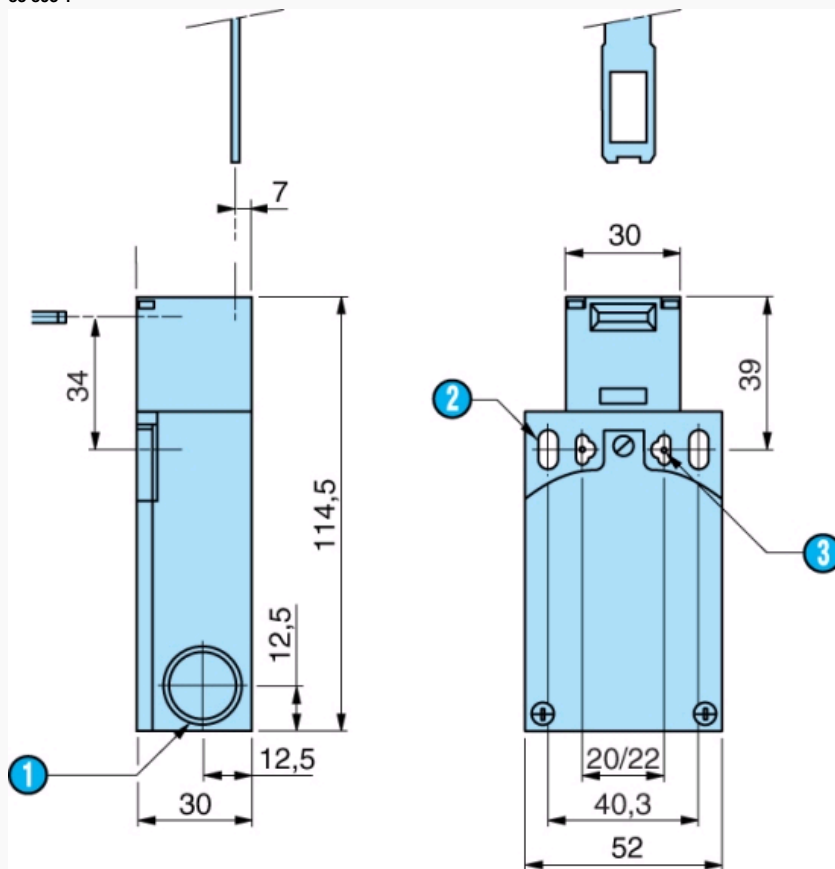
Symbol	Accessories	Code
	Straight key	79 214 581

	Key with wide fixing bar	79 214 582
	Short key with wide fixing bar	79 214 585
	Angled key	79 214 584
	Flexible key	79 214 583

Dimensions (mm)

Product

83 893 1



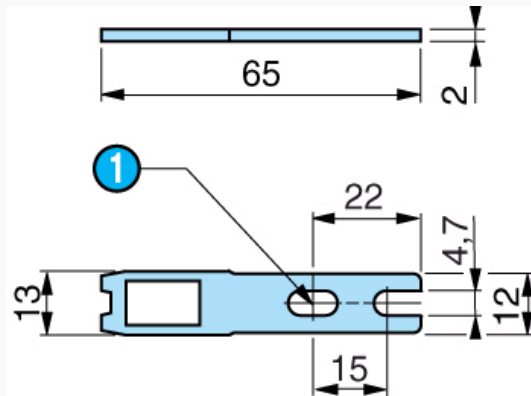
N°	Legend
----	--------

①	2 threaded holes for cable gland
②	2 slots \varnothing 5.3 x 13.3
③	2 slots \varnothing 4.3 x 8.3 fixing centres 22 2 slots \varnothing 4.3 fixing centres 20

Dimensions (mm)

Actuators

Straight key
79 214 581

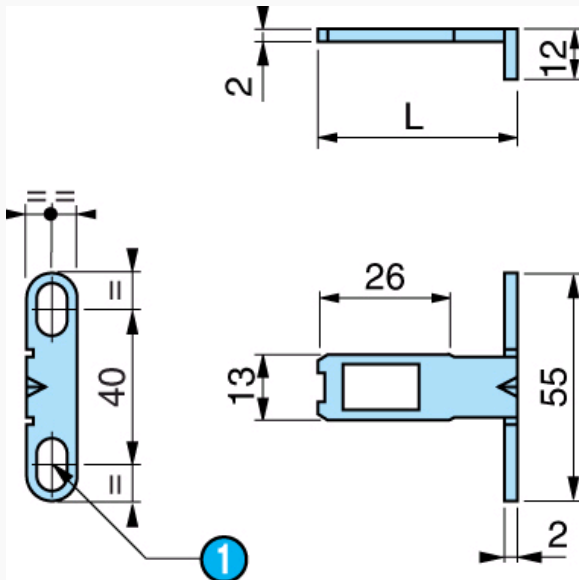


N°	Legend
①	2 slots \varnothing 4.7 x 10

Dimensions (mm)

Actuators

Key with wide fixing bar
79 214 582 / 585



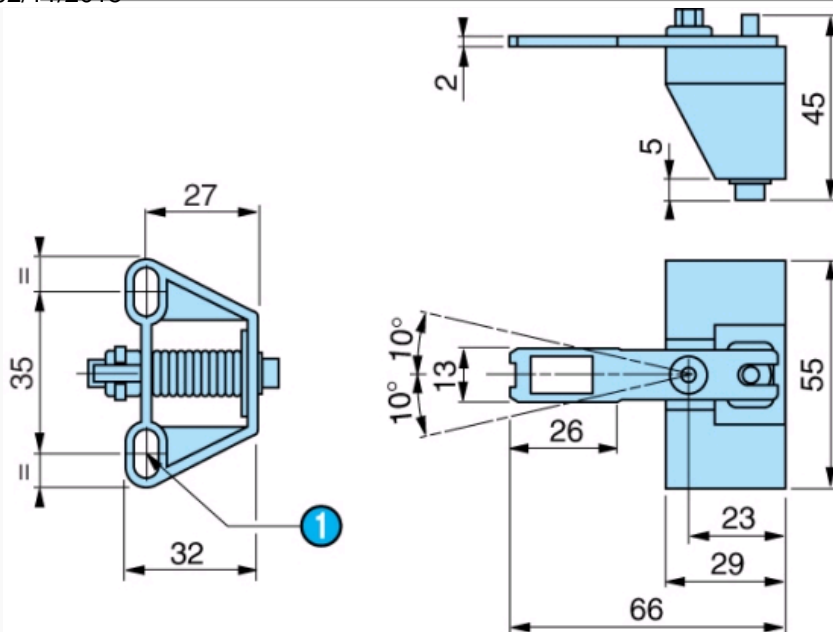
Type 79 214 582 : L = 40 mm Type 79 214 585 : L = 29 mm

N°	Legend
①	2 slots \varnothing 4.7 x 10

Dimensions (mm)

Actuators

Flexible key
79 214 583



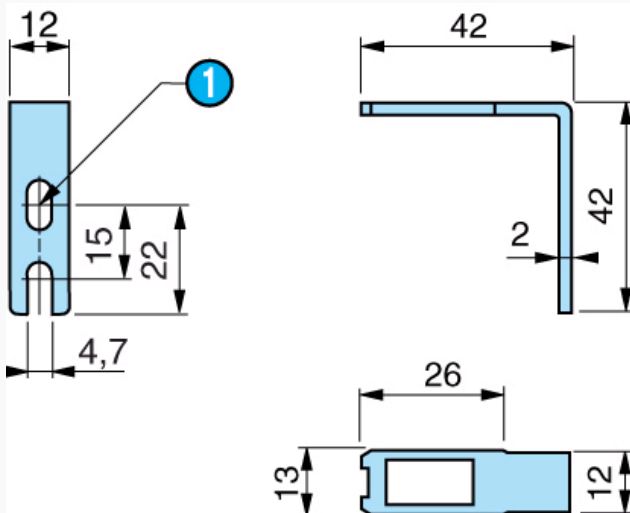
Type 79 214 582 : L = 40 mm Type 79 214 585 : L = 29 mm

N°	Legend
1	2 slots Ø 4.7 x 10

Dimensions (mm)

Actuators

**Angled key
79 241 584**



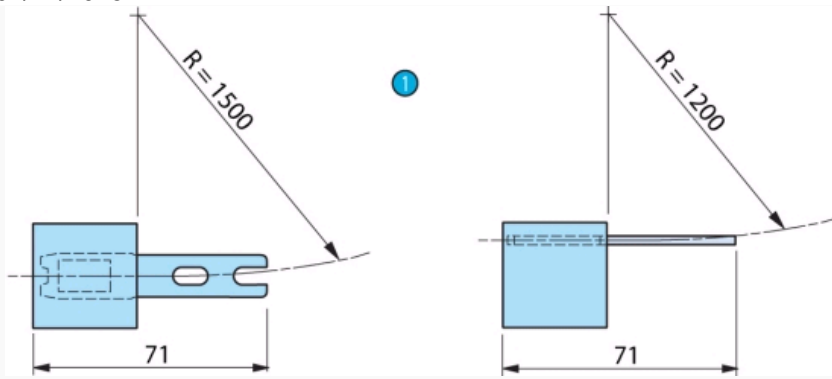
Type 79 214 582 : L = 40 mm Type 79 214 585 : L = 29 mm

N°	Legend
1	1 slot Ø 4.7 x 10

Dimensions (mm)

Operating radius

79 214 581



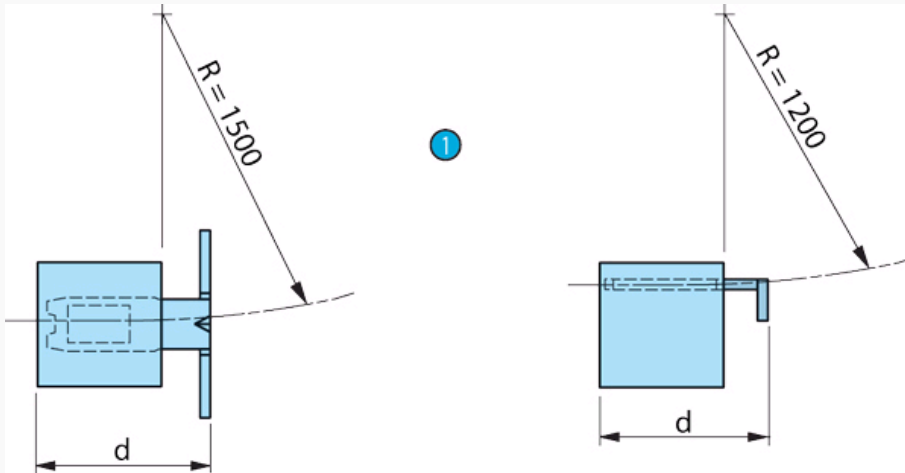
Type 79 214 582 : L = 40 mm Type 79 214 585 : L = 29 mm

N°	Legend
①	R = min. radius

Dimensions (mm)

Operating radius

79 214 582 / 585



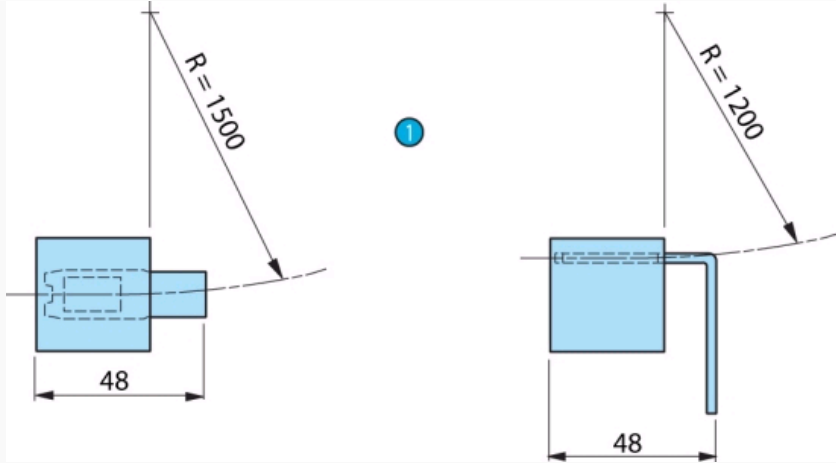
Type 79 214 582 : d = 46 mm Type 79 214 585 : d = 35 mm

N°	Legend
①	R = min. radius

Dimensions (mm)

Operating radius

79 214 584



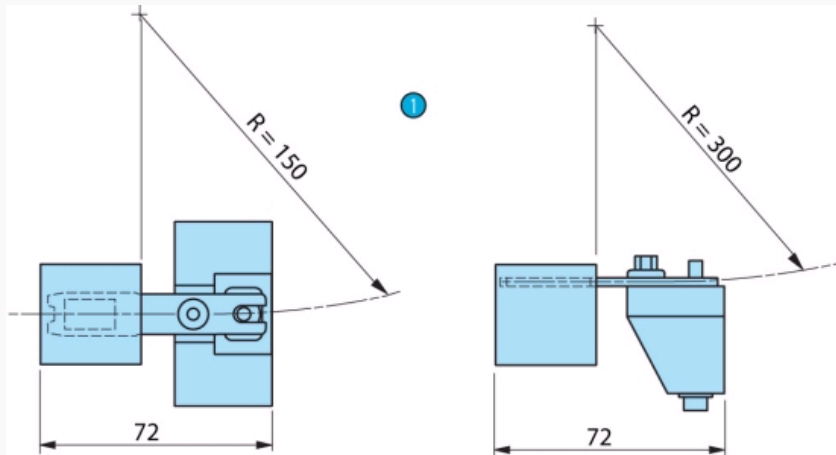
Type 79 214 582 : d = 46 mm Type 79 214 585 : d = 35 mm

N°	Legend
1	R = min. radius

Dimensions (mm)

Operating radius

79 214 583



Type 79 214 582 : d = 46 mm Type 79 214 585 : d = 35 mm

N°	Legend
1	R = min. radius