

Excellent Integrated System Limited

Stocking Distributor

Click to view price, real time Inventory, Delivery & Lifecycle Information:

[Crouzet Automation](#)
[89750151](#)

For any questions, you can email us directly:
sales@integrated-circuit.com

Temperature sensors AS Part number 89750151



- Integrated converter : 0-10 V output for direct connection to the Millenium 3 analogue inputs

Part numbers

	Type	Description	Range	Accuracy	Supply	Protection casing	Protection probe
89750151	AS	Ventilation duct	-10 →+60 °C	-0.2 °C +1.9 °C	24 V DC	IP65	IP30

Specifications

Environmental characteristics

Ambient temperature	-10 →+60 °C
Ambient humidity	5 →95 % RH
Housing material	Self-extinguishing

Electrical characteristics

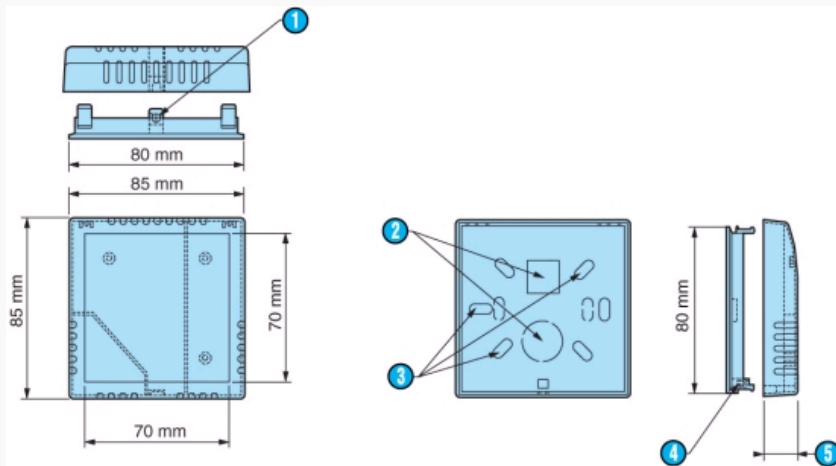
Supply voltage	24 V DC (± 10 %)
Output	0 →10 V DC
Drift Temperature (%/ °C)	0.01 %/ °C of full scale
Temperature coefficients Offset	1,5 mV / °C

Accessories

Accessories	Operating temperature	Operating pressure	Code
Copper protective sleeve	-20 →+100 °C	10 bar	89750146
316 stainless steel protective sleeve	-20 →+400 °C	16 bar	89750147

Dimensions (mm)

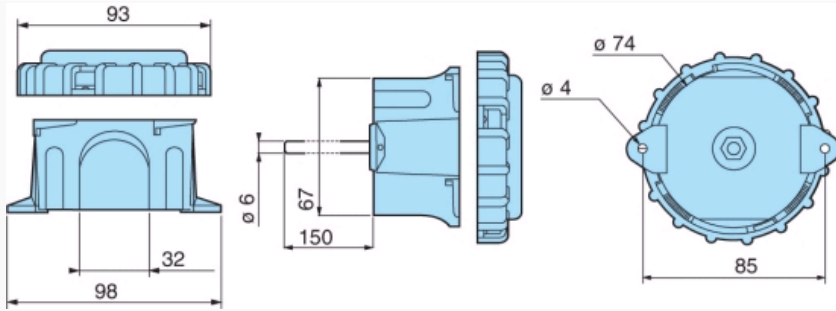
89750150



N°	Legend
1	Ø3 mm for M3 x 8 screw
2	Cut-outs made prior to delivery
3	Fixing holes
4	Indentation for M3 square nut
5	Total depth 26 mm

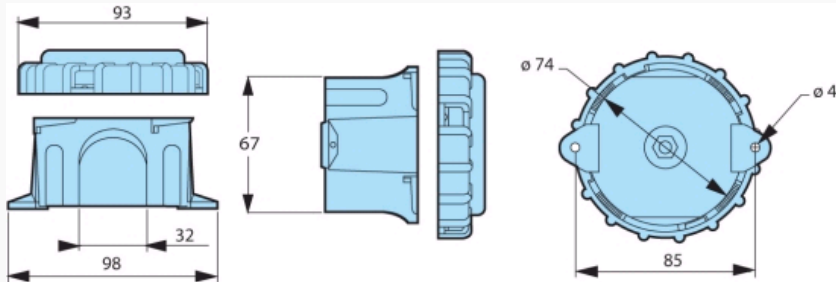
Dimensions (mm)

89750151



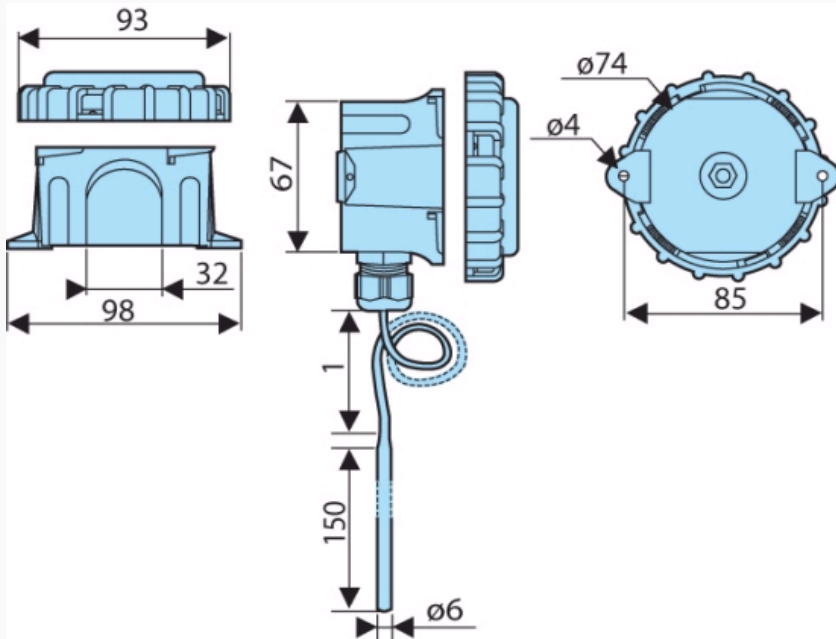
Dimensions (mm)

89750152



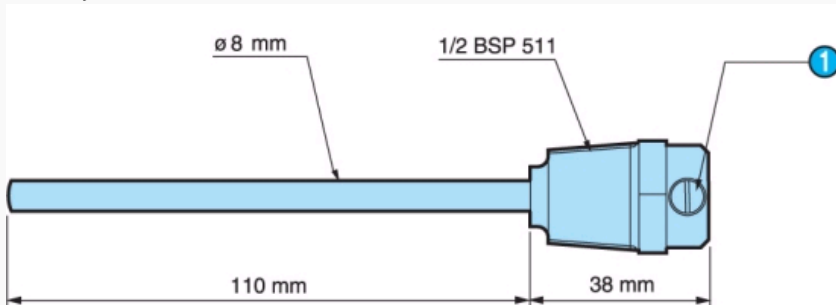
Dimensions (mm)

89750153 and 89750155



Dimensions (mm)

Accessory 89750147 for 89750153 and 89750155



N°

Legend



Distributor of Crouzet Automation: Excellent Integrated System Limited

Datasheet of 89750151 - SENSOR TEMPERATURE RATIOMETRIC

Contact us: sales@integrated-circuit.com Website: www.integrated-circuit.com

02/11/2015

www.crouzet.com

1	M4 screw
---	----------