

Excellent Integrated System Limited

Stocking Distributor

Click to view price, real time Inventory, Delivery & Lifecycle Information:

[STMicroelectronics](#)
[STEVAL-IFR001V1](#)

For any questions, you can email us directly:

sales@integrated-circuit.com



STEVAL-IFR001V1

RTC calibration demonstration daughter card based on the M41T82SM6E to be used in connection with STEVAL-IFS012V1

Data brief

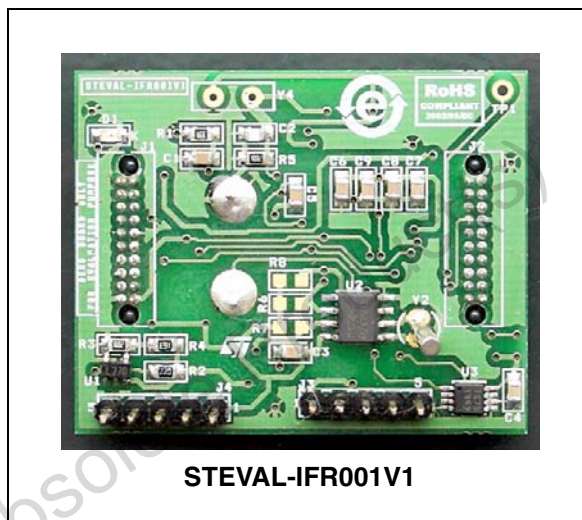
Features

- M41T82 RTC in SO-8 package mounted on daughter card.
- RoHS compliant

Description

The STEVAL-IFS012V1 is a multi device temperature sensor demonstration motherboard which supports the demonstration of four RTCs; M41T81S RTC mounted on motherboard, M41T82 (SO-8 package) mounted on separate STEVAL-IFR001V1 daughter card, M41T83(QFN package) mounted on separate STEVAL-IFR002V1 daughter card, and M41T83(SOX18 package) mounted on separate STEVAL-IFR003V1 daughter card.

RTC mode of the GUI is chosen through the RTC selection icon on the GUI.



Obsolete Product(s) - Obsolete

Circuit schematics

STEVAL-IFR001V1

1 Circuit schematics

Figure 1. Schematic_1

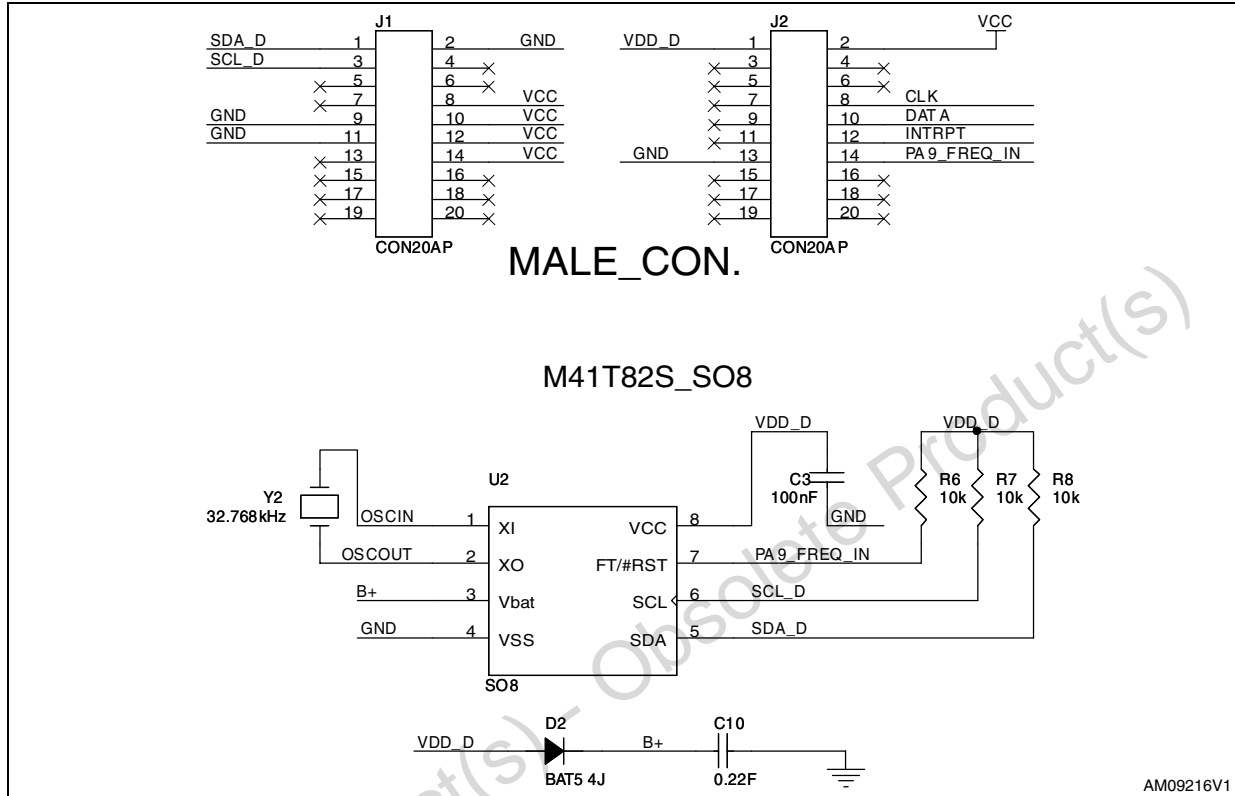
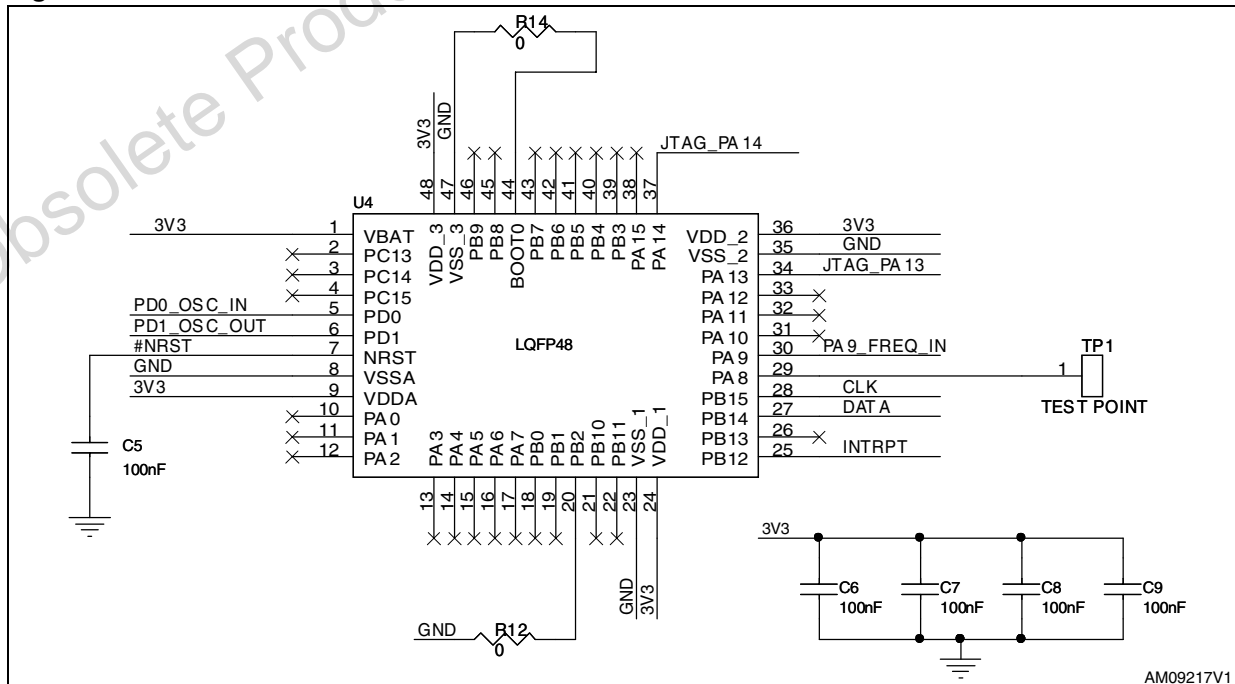


Figure 2. Schematic_2



STEVAL-IFR001V1

Circuit schematics

Figure 3. Schematic_3

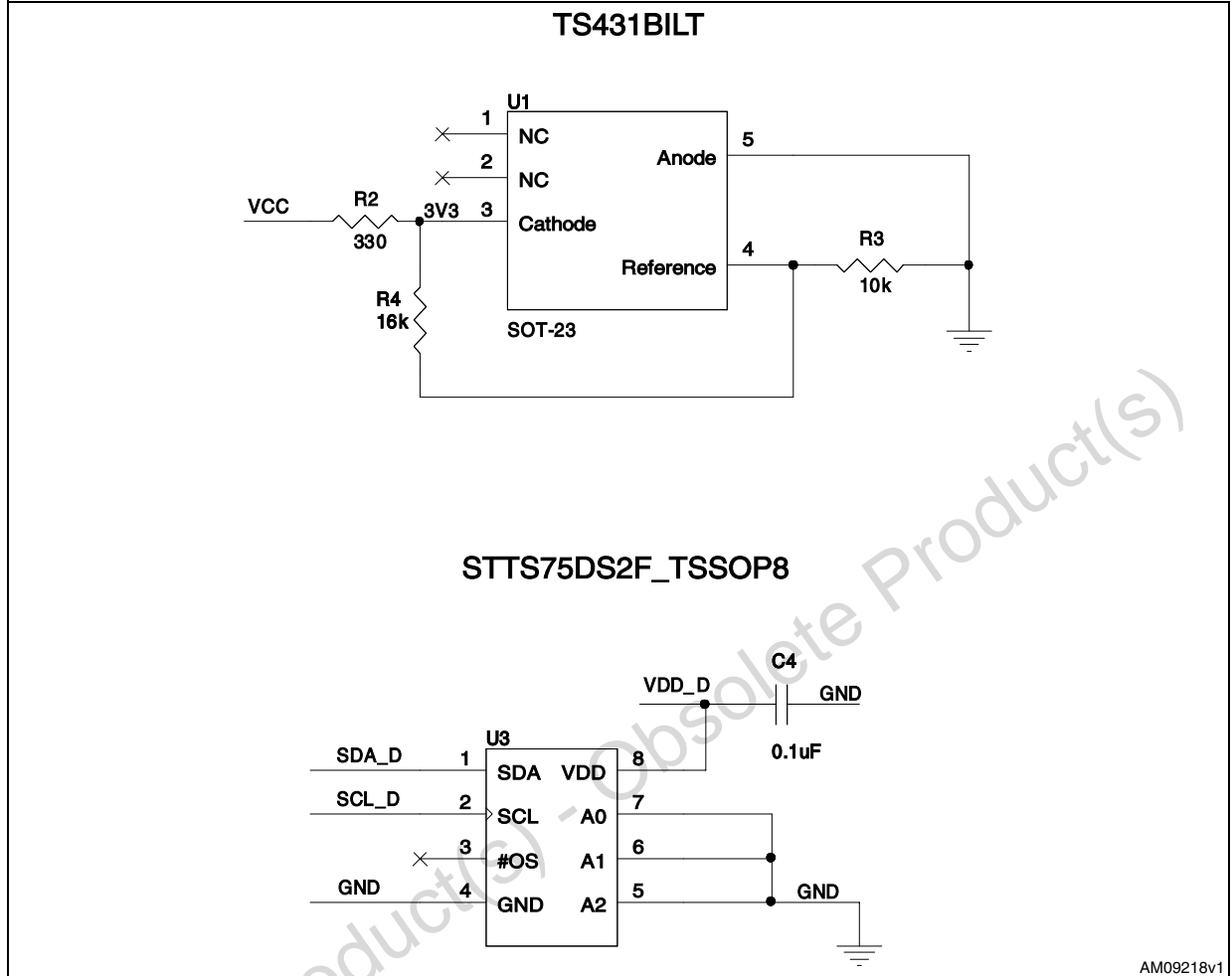
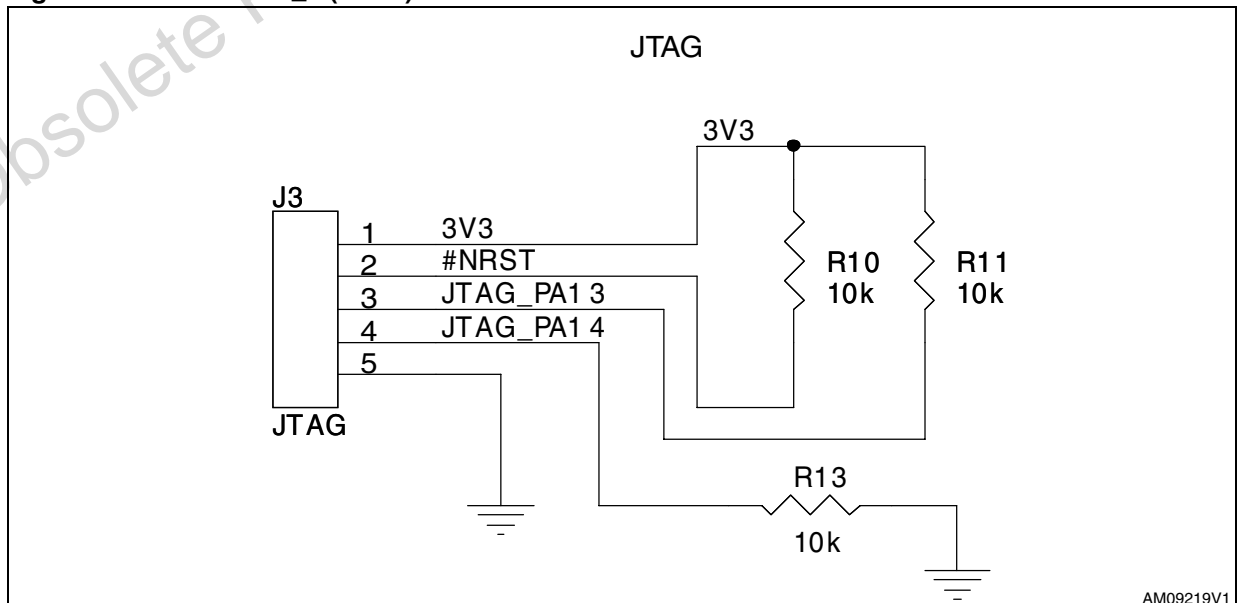


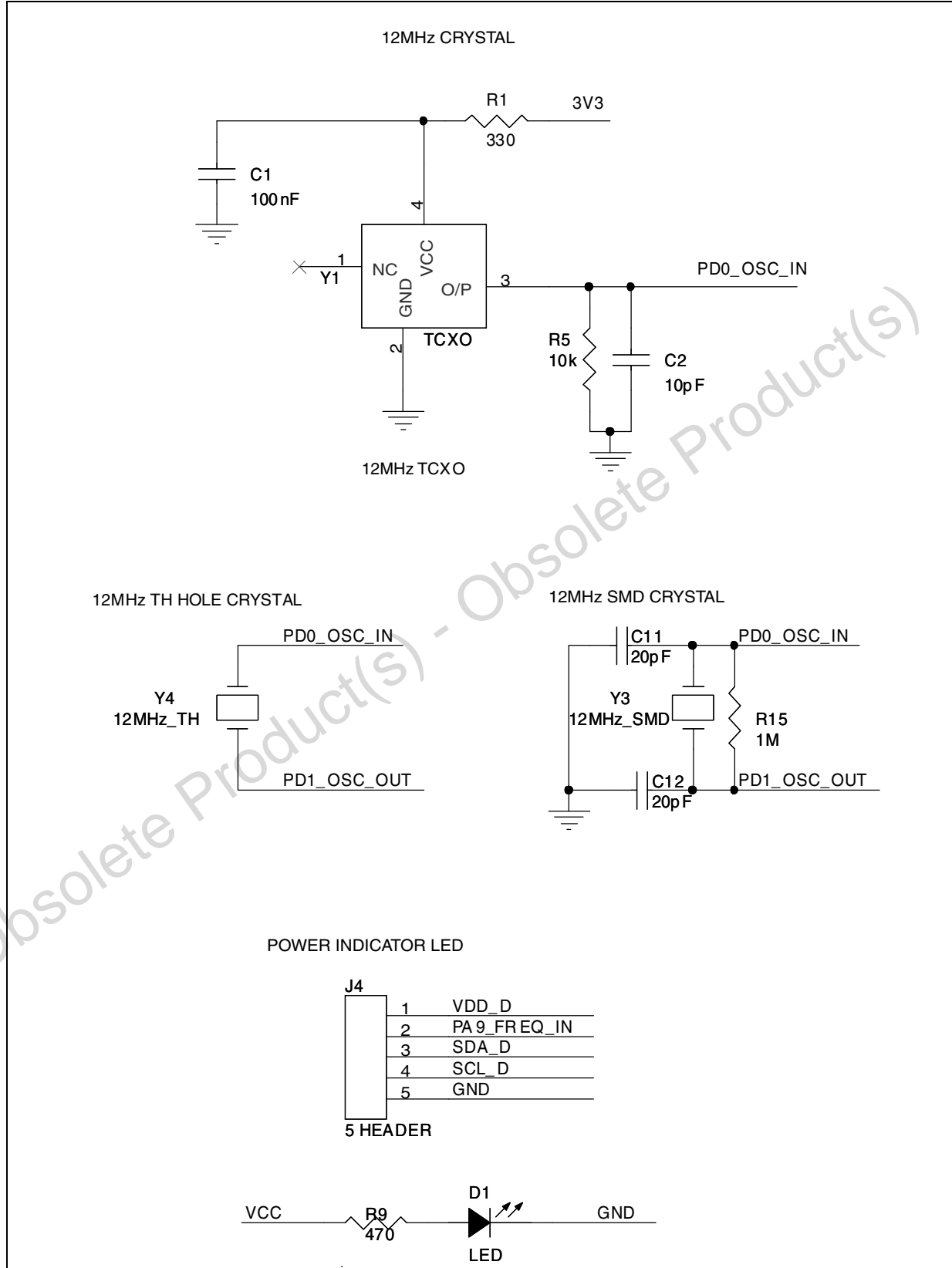
Figure 4. Schematic_4 (JTAG)



Circuit schematics

STEVAL-IFR001V1

Figure 5. Schematic_5



2 Revision history

Table 1. Document revision history

Date	Revision	Changes
06-Dec-2010	1	Initial release.

Obsolete Product(s) - Obsolete Product(s)

STEVAL-IFR001V1

Please Read Carefully:

Information in this document is provided solely in connection with ST products. STMicroelectronics NV and its subsidiaries ("ST") reserve the right to make changes, corrections, modifications or improvements, to this document, and the products and services described herein at any time, without notice.

All ST products are sold pursuant to ST's terms and conditions of sale.

Purchasers are solely responsible for the choice, selection and use of the ST products and services described herein, and ST assumes no liability whatsoever relating to the choice, selection or use of the ST products and services described herein.

No license, express or implied, by estoppel or otherwise, to any intellectual property rights is granted under this document. If any part of this document refers to any third party products or services it shall not be deemed a license grant by ST for the use of such third party products or services, or any intellectual property contained therein or considered as a warranty covering the use in any manner whatsoever of such third party products or services or any intellectual property contained therein.

UNLESS OTHERWISE SET FORTH IN ST'S TERMS AND CONDITIONS OF SALE ST DISCLAIMS ANY EXPRESS OR IMPLIED WARRANTY WITH RESPECT TO THE USE AND/OR SALE OF ST PRODUCTS INCLUDING WITHOUT LIMITATION IMPLIED WARRANTIES OF MERCHANTABILITY, FITNESS FOR A PARTICULAR PURPOSE (AND THEIR EQUIVALENTS UNDER THE LAWS OF ANY JURISDICTION), OR INFRINGEMENT OF ANY PATENT, COPYRIGHT OR OTHER INTELLECTUAL PROPERTY RIGHT.

UNLESS EXPRESSLY APPROVED IN WRITING BY AN AUTHORIZED ST REPRESENTATIVE, ST PRODUCTS ARE NOT RECOMMENDED, AUTHORIZED OR WARRANTED FOR USE IN MILITARY, AIR CRAFT, SPACE, LIFE SAVING, OR LIFE SUSTAINING APPLICATIONS, NOR IN PRODUCTS OR SYSTEMS WHERE FAILURE OR MALFUNCTION MAY RESULT IN PERSONAL INJURY, DEATH, OR SEVERE PROPERTY OR ENVIRONMENTAL DAMAGE. ST PRODUCTS WHICH ARE NOT SPECIFIED AS "AUTOMOTIVE GRADE" MAY ONLY BE USED IN AUTOMOTIVE APPLICATIONS AT USER'S OWN RISK.

Resale of ST products with provisions different from the statements and/or technical features set forth in this document shall immediately void any warranty granted by ST for the ST product or service described herein and shall not create or extend in any manner whatsoever, any liability of ST.

ST and the ST logo are trademarks or registered trademarks of ST in various countries.

Information in this document supersedes and replaces all information previously supplied.

The ST logo is a registered trademark of STMicroelectronics. All other names are the property of their respective owners.

© 2010 STMicroelectronics - All rights reserved

STMicroelectronics group of companies

Australia - Belgium - Brazil - Canada - China - Czech Republic - Finland - France - Germany - Hong Kong - India - Israel - Italy - Japan - Malaysia - Malta - Morocco - Philippines - Singapore - Spain - Sweden - Switzerland - United Kingdom - United States of America

www.st.com