



Excellent Integrated System Limited

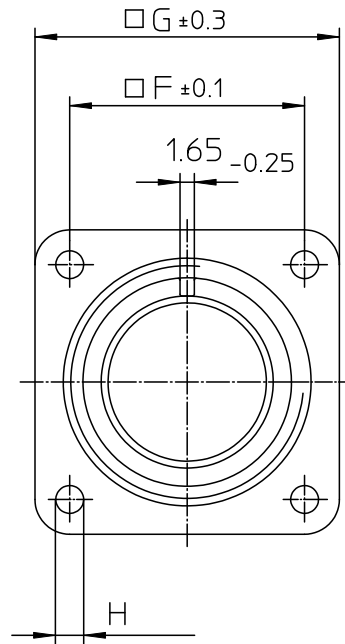
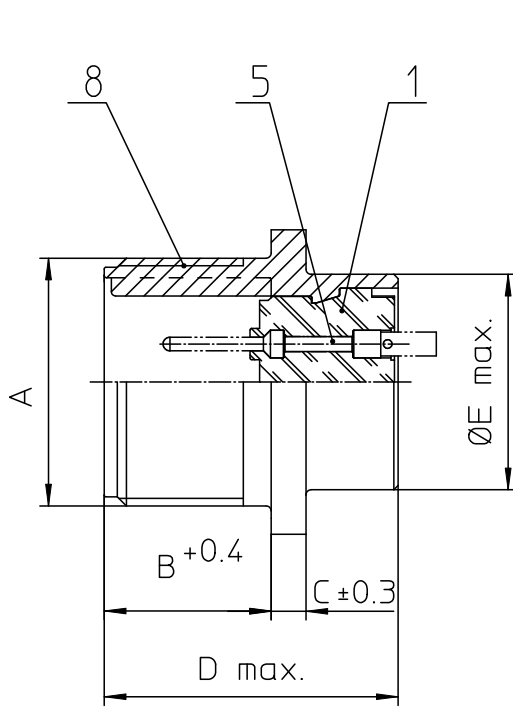
Stocking Distributor

Click to view price, real time Inventory, Delivery & Lifecycle Information:

[ITT Cannon, LLC](#)
[CA3102E16S-1PF0](#)

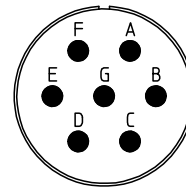
For any questions, you can email us directly:

sales@integrated-circuit.com



NO.	MASSE / DIMENSION
A	1-20UNEF-2A
B	14.2
C	3.2
D	25.1
E	22.2
F	24.6
G	32.5
H	3.1

NO.	BESCHREIBUNG / DESCRIPTION
1	ISOLIERKÖRPER STIFT / INSULATOR PIN
5	KONTAKTSTIFT / CONTACT PIN
8	DOSENGEHÄUSE / SHELL



<p>Note: Due to an automatic nomenclature system, numbers generated may not be sequential.</p> <p>Specification and Dimensions subject to change Drawings illustrate normal insulator positioning</p>
<p>Material Specification:</p> <p>Shell Material: Aluminium alloy Shell Plating: Olive drab chromate coating over cadmium plating Insulator Material: Neoprene Contact Material: Copper alloy Contact Plating: Hard silver</p>

<p>all dimensions are in mm Dimensions without tolerance indications are general tolerances in acc. with DIN 7168m</p> <p>ITT Engineered for life ITT CANNON GROUP D-71364 Wernau/Germany</p> <p>© All rights reserved. Reproduction or use in any form without the written authorization of ITT Cannon</p>	<p>description: CA3102E16S-1P-F0 Box mounting receptacle</p> <p>Solder Cup / Pin / Layout: 16S-1</p> <p>page 1/1 revision 377.3, Jul 16</p>	<p>drawing for: CUSTOMER</p>
-------------------------------------------------------------------------------------------------------------------------------------------------------------------------------------------------------------------------------------------------------------------------------------------------------------------------------------------	-------------------------------------------------------------------------------------------------------------------------------------------------	------------------------------