



Distributor of ITT Cannon, LLC: Excellent Integrated System Limited

Datasheet of CA3102E12S-3PWF80 - CONN RCPT 2 POS BOX MNT W/PINS

Contact us: sales@integrated-circuit.com Website: www.integrated-circuit.com

Excellent Integrated System Limited

Stocking Distributor

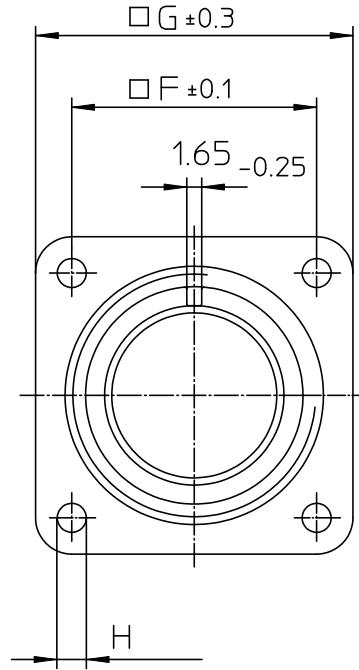
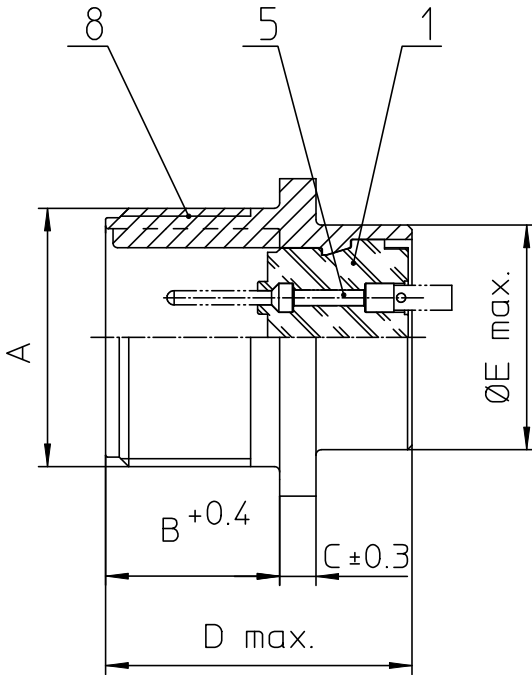
Click to view price, real time Inventory, Delivery & Lifecycle Information:

[ITT Cannon, LLC](#)

[CA3102E12S-3PWF80](#)

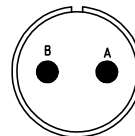
For any questions, you can email us directly:

sales@integrated-circuit.com



NO.	MASSE / DIMENSION
A	3/4-20UNEF-2A
B	14.2
C	3.2
D	25.1
E	15.9
F	20.6
G	28
H	3.1

NO.	BESCHREIBUNG / DESCRIPTION
1	ISOLIERKÖRPER STIFT / INSULATOR PIN
5	KONTAKTSTIFT / CONTACT PIN
8	DOSENGEHÄUSE / SHELL



Note: Due to an automatic nomenclature system, numbers generated may not be sequential. Specification and Dimensions subject to change Drawings illustrate normal insulator positioning
Material Specification:
Shell Material: Aluminium alloy
Shell Plating: Olive drab chromate coating over cadmium plating
Insulator Material: Neoprene
Contact Material: Copper alloy
Contact Plating: Hard silver

all dimensions are in mm Dimensions without tolerance indications are general tolerances in acc. with DIN 1688m	drawing for CUSTOMER
ITT Engineered for life ITT CANNON GERMANY D-57500 Wermelskirchen	description CA3102E12S-3PW-F80 Box mounting receptacle AWG Crimp / Pin / Layout: 12S-3
© All rights reserved. Reproduction or use in any form without written authorization of ITT Cannon	page 1/1 revision 377.3. Jul 16