



Excellent Integrated System Limited

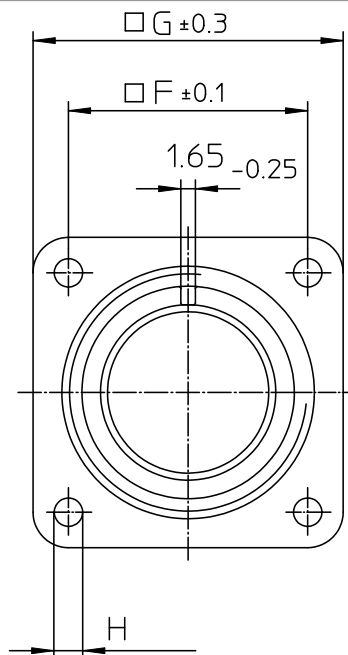
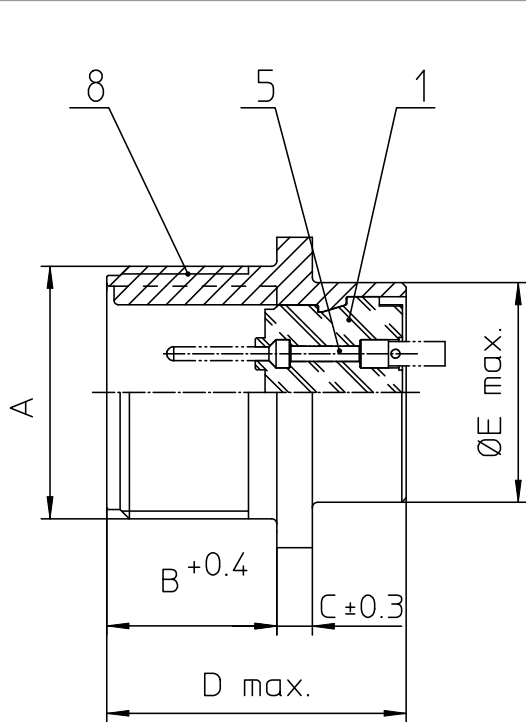
Stocking Distributor

Click to view price, real time Inventory, Delivery & Lifecycle Information:

[ITT Cannon, LLC](#)
[CA3102E20-19PF80F0](#)

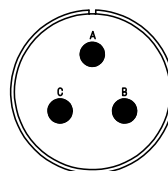
For any questions, you can email us directly:

sales@integrated-circuit.com



NO.	MASSE / DIMENSION
A	1 1/4-18NEF-2A
B	19
C	4
D	34.2
E	29
F	29.4
G	38
H	3.1

NO.	BESCHREIBUNG / DESCRIPTION
1	ISOLIERKÖRPER STIFT / INSULATOR PIN
5	KONTAKTSTIFT / CONTACT PIN
8	DOSENGEHÄUSE / SHELL



Note: Due to an automatic nomenclature system, numbers generated may not be sequential. Specification and Dimensions subject to change Drawings illustrate normal insulator positioning
Material Specification:
Shell Material: Aluminium alloy
Shell Plating: Olive drab chromate coating over cadmium plating
Insulator Material: Neoprene
Contact Material: Copper alloy
Contact Plating: Hard silver

all dimensions are in mm Dimensions without tolerance indications are general tolerances in acc. with DIN17520	drawing for CUSTOMER
ITT Engineered for life ITT CANNON GmbH D-71334 Weinstadt/Germany	description CA3102E20-19P-F80-F0 Box mounting receptacle AWG Crimp / Pin / Layout: 20-19
© All rights reserved. Reproduction or use in any form without the written authorization of ITT Cannon	page 1/1 revision 377.3, Jul 16