



Excellent Integrated System Limited

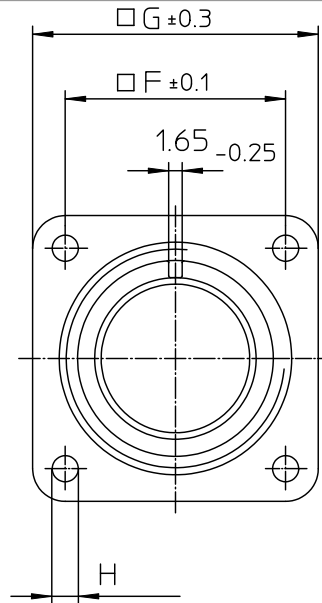
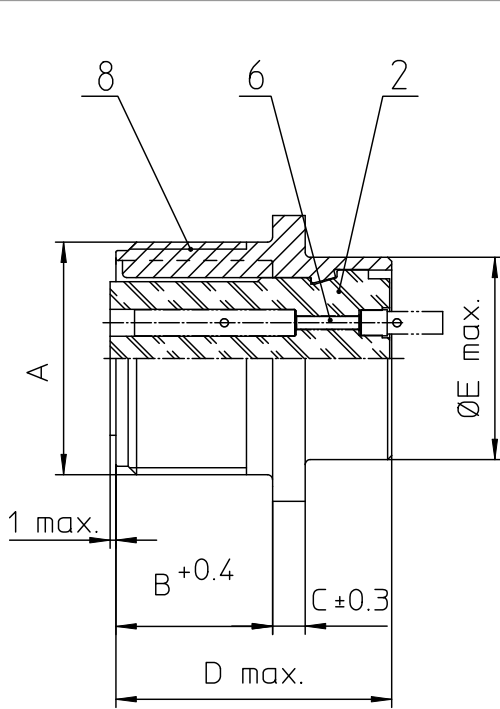
Stocking Distributor

Click to view price, real time Inventory, Delivery & Lifecycle Information:

[ITT Cannon, LLC](#)
[CA3102E14S-1SA206](#)

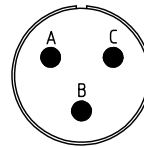
For any questions, you can email us directly:

sales@integrated-circuit.com






| NO. | MASSE / DIMENSION |
|-----|-------------------|
| A | 7/8-20UNEF-2A |
| B | 14.2 |
| C | 3.2 |
| D | 25.1 |
| E | 19 |
| F | 23 |
| G | 30 |
| H | 3.1 |

| NO. | BESCHREIBUNG / DESCRIPTION |
|-----|---|
| 2 | ISOLIERKÖRPER BUCHSE / INSULATOR SOCKET |
| 6 | KONTAKTBUCHSE / CONTACT SOCKET |
| 8 | DOSENGEHÄUSE / SHELL |



Note: Due to an automatic nomenclature system, numbers generated may not be sequential.
Specification and Dimensions subject to change
Drawings illustrate normal insulator positioning.

| Material Specification: | |
|-------------------------|--------------------------------|
| Shell Material: | Aluminium alloy |
| Shell Plating: | Black Zinc Cobalt (conductive) |
| Insulator Material: | Neoprene |
| Contact Material: | Copper alloy |
| Contact Plating: | Hard silver |

| all dimensions are in mm | | Dimensions without tolerance indications are general tolerances in acc. with DIN7168m | drawing for |
|--|--|--|---|
|  ITT <i>Engineered for life</i> <small>ITT CANNON CORP. 17115M Westborough, MA 01581</small> | | description | CUSTOMER |
| | | description | CA3102E14S-1S-A206 Box mounting receptacle |
| | | Solder Cup / Socket / Layout: 14S-1 | |
| <small>© All rights reserved. Reproduction or issue in any form without the prior written authorization of ITT Cannon.</small> | |  page 1/1  revision 377 3. Jul 16 | |