



## **Excellent Integrated System Limited**

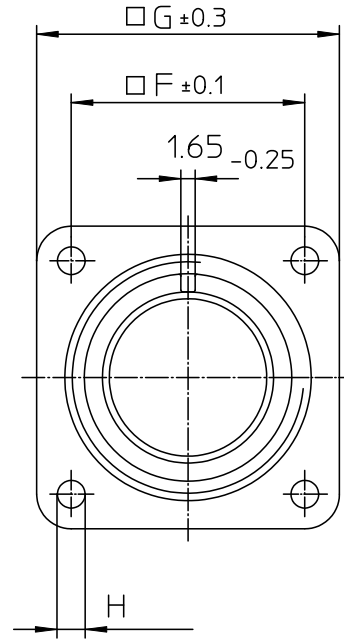
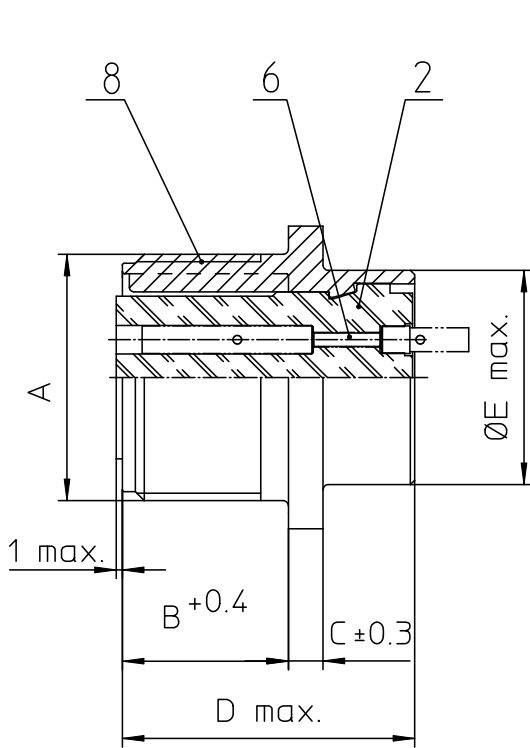
Stocking Distributor

Click to view price, real time Inventory, Delivery & Lifecycle Information:

[ITT Cannon, LLC](#)  
[CA3102E18-11SXA206](#)

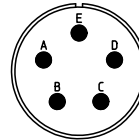
For any questions, you can email us directly:

[sales@integrated-circuit.com](mailto:sales@integrated-circuit.com)




NO.	MASSE / DIMENSION
A	1 1/8-18NEF-2A
B	19
C	4
D	34.2
E	25.4
F	27
G	35
H	3.1

NO.	BESCHREIBUNG / DESCRIPTION
2	ISOLIERKÖRPER BUCHSE / INSULATOR SOCKET
6	KONTAKTBUCHSE / CONTACT SOCKET
8	DOSENGEHÄUSE / SHELL



Note: Due to an automatic nomenclature system, numbers generated may not be sequential.  
Specification and Dimensions subject to change  
Drawings illustrate normal insulator positioning

Material Specification:	
Shell Material:	Aluminium alloy
Shell Plating:	Black Zinc Cobalt (conductive)
Insulator Material:	Neoprene
Contact Material:	Copper alloy
Contact Plating:	Hard silver

all dimensions are in mm Dimensions without tolerance indications are general tolerances in acc. with DIN7168m		drawing for
 <b>ITT</b> <i>Engineered for life</i> <small>ITT CANNON GROUP</small> <small>57534 Westborough</small>		CUSTOMER
		description CA3102E18-11SX-A206 Box mounting receptacle
© All rights reserved. Reproduction or issue in any form without the written authorization of ITT Cannon		Solder Cup / Socket / Layout: 18-11 page 1/1 revision 377.3, Jul 16