



Excellent Integrated System Limited

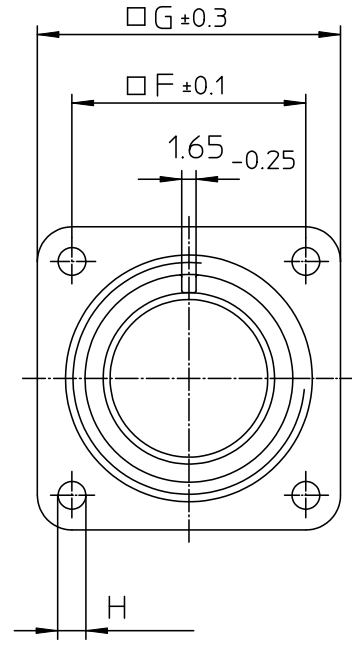
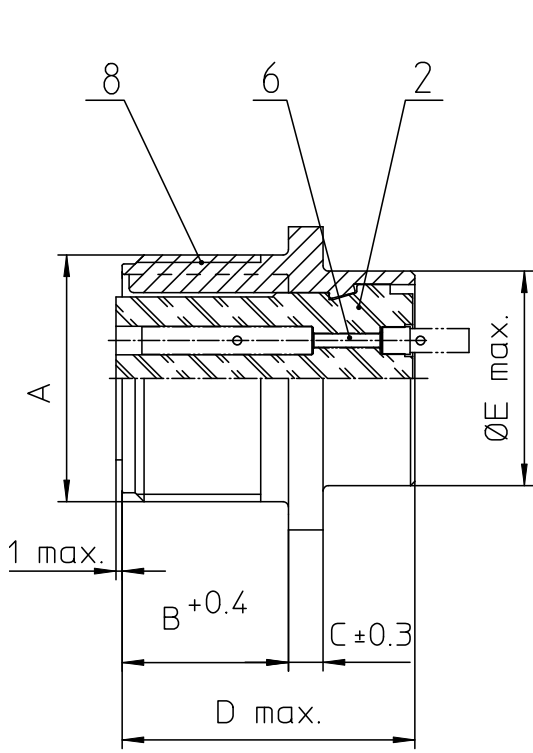
Stocking Distributor

Click to view price, real time Inventory, Delivery & Lifecycle Information:

[ITT Cannon, LLC](#)
[CA3102E18-1SA176A206](#)

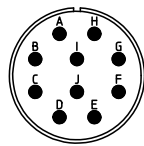
For any questions, you can email us directly:

sales@integrated-circuit.com



NO.	MASSE / DIMENSION
A	1 1/8-18NEF-2A
B	19
C	4
D	34.2
E	25.4
F	27
G	35
H	3.1

NO.	BESCHREIBUNG / DESCRIPTION
2	ISOLIERKÖRPER BUCHSE / INSULATOR SOCKET
6	KONTAKTBUCHSE / CONTACT SOCKET
8	DOSENGEHÄUSE / SHELL



Note: Due to an automatic nomenclature system, numbers generated may not be sequential.
 Specification and Dimensions subject to change
 Drawings illustrate normal insulator positioning

Material Specification:	
Shell Material:	Aluminium alloy
Shell Plating:	Black Zinc Cobalt (conductive)
Insulator Material:	Neoprene
Contact Material:	Copper alloy
Contact Plating:	Gold 0.5 & #956;

<p>ITT <i>Engineered for life</i> ITT CANNON GmbH 67194 Wiesbaden/Germany</p>	<p>description CA3102E18-1S-A176-A206 Box mounting receptacle</p> <p>Solder Cup / Socket / Layout: 18-1</p>	<p>drawing for CUSTOMER</p>
<p>© All rights reserved. Reproduction or issue in any form without the prior written authorization of ITT Cannon</p>	<p>page 1/1</p>	<p>revision 377.3, Jul 16</p>