



## **Excellent Integrated System Limited**

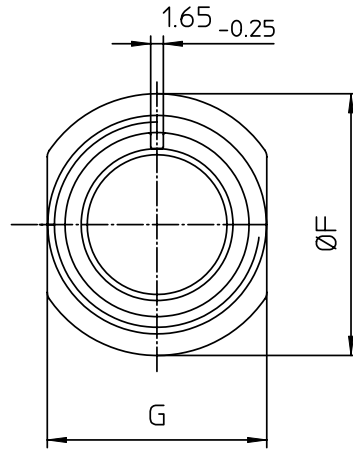
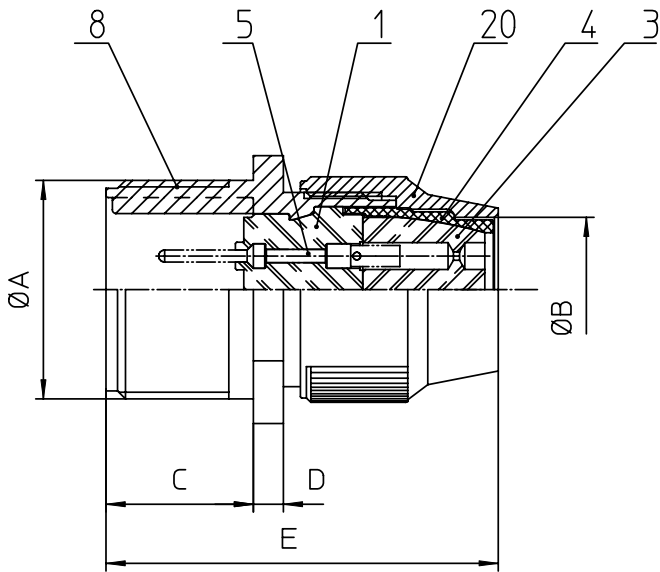
Stocking Distributor

Click to view price, real time Inventory, Delivery & Lifecycle Information:

[ITT Cannon, LLC](#)  
[CA3101R10SL-4PF80](#)

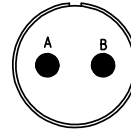
For any questions, you can email us directly:

[sales@integrated-circuit.com](mailto:sales@integrated-circuit.com)



| NO. | MASSE / DIMENSION |
|-----|-------------------|
| A   | 5/8-24NEF-2A      |
| B   | 9.6               |
| C   | 14.2              |
| D   | 2                 |
| E   | 41                |
| F   | 21.8              |
| G   | 16                |

| NO. | BESCHREIBUNG / DESCRIPTION          |
|-----|-------------------------------------|
| 1   | ISOLIERKÖRPER STIFT / INSULATOR PIN |
| 3   | DICHTKÖRPER / GROMMET               |
| 4   | ENDRING / ENDRING                   |
| 5   | KONTAKTSTIFT/ CONTACT PIN           |
| 8   | DOSENGEHÄUSE / SHELL                |
| 20  | KURZES ENDGEHÄUSE/SHORT ENDBELL     |



Note: Due to an automatic nomenclature system, numbers generated may not be sequential.

Specification and Dimensions subject to change  
Drawings illustrate normal insulator positioning

**Material Specification:**

Shell Material: Aluminium alloy  
Shell Plating: Olive drab chromate coating over cadmium plating  
Insulator Material: Neoprene  
Contact Material: Copper alloy  
Contact Plating: Hard silver

all dimensions are in mm

Dimensions without tolerance indications are general tolerances in acc. with DIN7168m

drawing for  
CUSTOMER



description CA3101R10SL-4P-F80  
Cable connecting plug  
Shortened light-weight endbell without cable clamp  
AWG Crimp / Pin / Layout: 10SL-4

© All rights reserved. Reproduction or issue to third in any form  
whenever & only permitted with written authorization of ITT Cannon

page 1/1  
revision 377.3. Jul 16