



Excellent Integrated System Limited

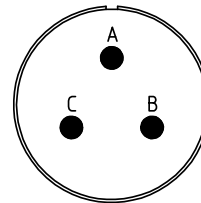
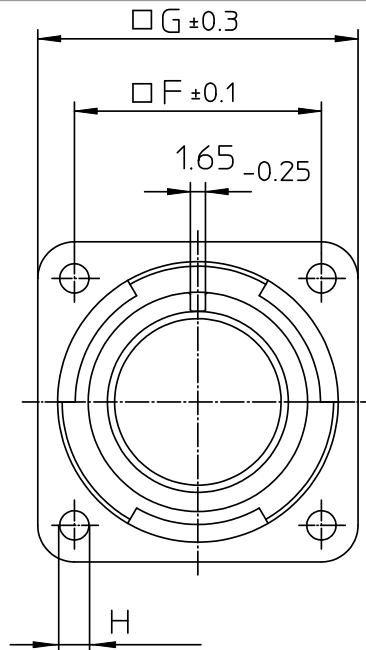
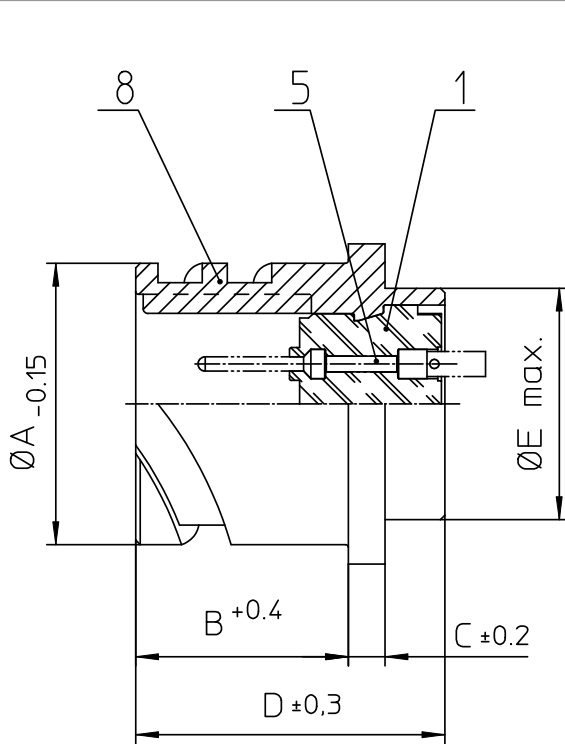
Stocking Distributor

Click to view price, real time Inventory, Delivery & Lifecycle Information:

[ITT Cannon, LLC](#)
[CA3102E16S-5PBF80](#)

For any questions, you can email us directly:

sales@integrated-circuit.com



NO.	MASSE / DIMENSION
A	27.4
B	14.2
C	3.2
D	24.7
E	22.4
F	24.6
G	32.5
H	3.2

NO.	BESCHREIBUNG / DESCRIPTION
1	ISOLIERKÖRPER STIFT / INSULATOR PIN
5	KONTAKTSTIFT/ CONTACT PIN
8	DOSENGEHÄUSE / SHELL

Note: Due to an automatic nomenclature system, numbers generated may not be sequential.
Specification and Dimensions subject to change
Drawings illustrate normal insulator positioning

Material Specification:	
Shell Material:	Aluminium alloy
Shell Plating:	Olive drab chromate over cadmium (conductive)
Insulator Material:	CR-Elastomere
Contact Material:	Copper alloy
Contact Plating:	Hard silver

all dimensions are in mm
Dimensions without tolerance indications are general tolerances in acc. with DIN7168m
drawing for CUSTOMER



description CA3102E16S-5P-B-F80
Box mounting receptacle

Engineered for life
ITT CANNON GmbH
D-73239 Heimenkirch/Germany

AWG Crimp / Pin / Layout: 16S-5

© All rights reserved. Reproduction is issue to third in any form
whenever is only permitted with written authorization of ITT Cannon
page 1/1 revision 786 4. Jul 16