



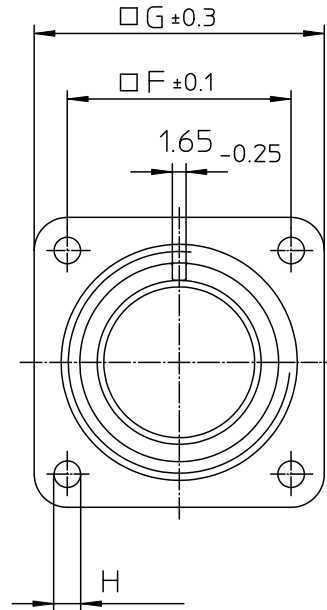
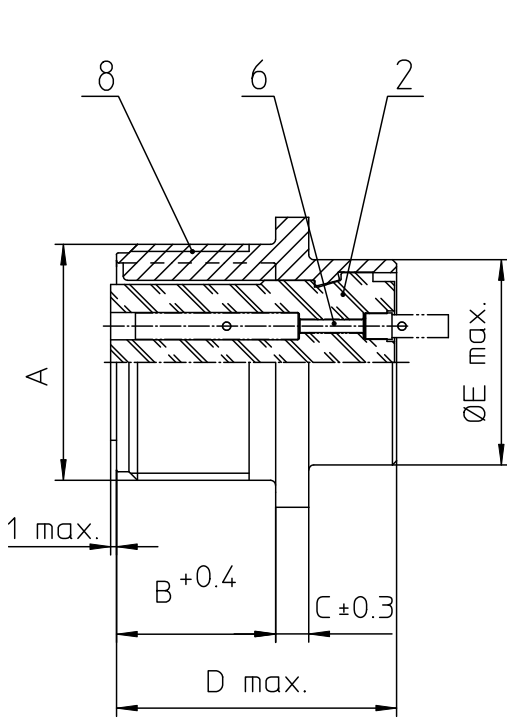
## **Excellent Integrated System Limited**

Stocking Distributor

Click to view price, real time Inventory, Delivery & Lifecycle Information:

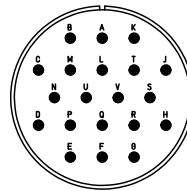
[ITT Cannon, LLC](#)  
[CA3102E28-16SF80F0](#)

For any questions, you can email us directly:  
[sales@integrated-circuit.com](mailto:sales@integrated-circuit.com)




| NO. | MASSE / DIMENSION |
|-----|-------------------|
| A   | 1 3/4-18NS-2A     |
| B   | 20.6              |
| C   | 4                 |
| D   | 34.2              |
| E   | 41.2              |
| F   | 39.7              |
| G   | 50.8              |
| H   | 3.7               |

| NO. | BESCHREIBUNG / DESCRIPTION              |
|-----|---|
| 2   | ISOLIERKÖRPER BUCHSE / INSULATOR SOCKET |
| 6   | KONTAKTBUCHSE / CONTACT SOCKET          |
| 8   | DOSENGEHÄUSE / SHELL                    |



Note: Due to an automatic nomenclature system, numbers generated may not be sequential.  
Specification and Dimensions subject to change  
Drawings illustrate normal insulator positioning

| Material Specification: |  |
|-------------------------|--|
| Shell Material:         | Aluminium alloy                                  |
| Shell Plating:          | Olive drab chromate coating over cadmium plating |
| Insulator Material:     | Neoprene   |
| Contact Material:       | Copper alloy                                     |
| Contact Plating:        | Hard silver                                      |

| all dimensions are in mm   |  | drawing for                        |                       |
|--|--|------------------------------------|-----------------------|
| Dimensions without tolerance indications are general tolerances in acc. with DIN7168m  |  | CUSTOMER                           |                       |
| <br>description CA3102E28-16S-F80-F0<br>Box mounting receptacle |  | AWG Crimp / Socket / Layout: 28-16 |                       |
| © All rights reserved. Reproduction or reuse is not allowed without the authorization of ITT Cannon.   |  | page 1/1                           | revision 3773, Jul 16 |