



## **Excellent Integrated System Limited**

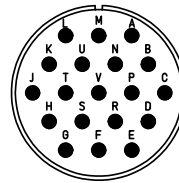
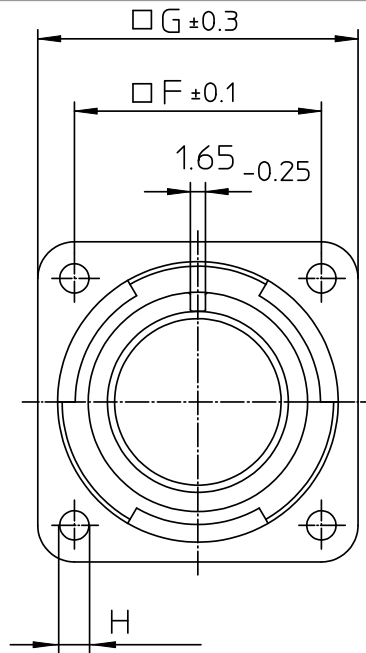
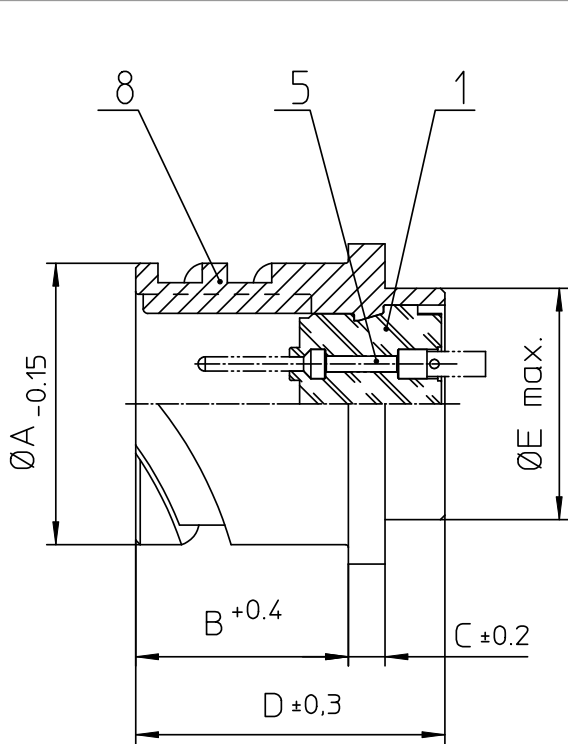
Stocking Distributor

Click to view price, real time Inventory, Delivery & Lifecycle Information:

[ITT Cannon, LLC](#)  
[CA3102E20A48PBF80-05](#)

For any questions, you can email us directly:

[sales@integrated-circuit.com](mailto:sales@integrated-circuit.com)



NO.	MASSE / DIMENSION
A	34.2
B	23.05
C	4
D	33.8
E	29
F	29.4
G	38
H	3.2

NO.	BESCHREIBUNG / DESCRIPTION
1	ISOLIERKÖRPER STIFT / INSULATOR PIN
5	KONTAKTSTIFT/ CONTACT PIN
8	DOSENGEHÄUSE / SHELL

Note: Due to an automatic nomenclature system, numbers generated may not be sequential.  
 Specification and Dimensions subject to change  
 Drawings illustrate normal insulator positioning

Material Specification:	
Shell Material:	Aluminium alloy
Shell Plating:	Olive drab chromate over cadmium (conductive)
Insulator Material:	CR-Elastomere
Contact Material:	Copper alloy
Contact Plating:	Hard silver

**all dimensions are in mm**  
 Dimensions without tolerance indications are general tolerances in acc. with DIN7168m

**drawing for**  
 CUSTOMER

**ITT**  
 Engineered for life  
 ITT CANNON GmbH  
 D-71334 Heilbronn/Germany

description CA3102E20A48P-B-F80-05  
 Box mounting receptacle (rear mount, through holes)

AWG Crimp / Pin / Layout: 20A48

© All rights reserved. Reproduction is issue to third in any form  
 whatever is only permitted with written authorization of ITT Cannon

page 1/1  
 revision 786 4. Jul 16